

DATA SHEET

Premium Efficiency Motor: **PEWWE75-36-365TSC**

60 Hz

WorldWide Electric Corporation

1 (800) 808-2131

Worldwideelectric.net



Document Generated: 16-Feb-2023 Document ID:	Customer:
---	-----------

MOTOR INFORMATION	
HP	75
RPM	3600
Phase	3
Frequency	60 Hz
Voltage	230/460 V
Frame Size	365TSC
Enclosure	TEFC
Degree of Protection	IP55
Service Factor	1.25
Poles	2
Full Load Speed	3560
Insulation Class	F
Temp Rise	80°C
NEMA Code Letter	G
Duty Cycle	S1 / Continuous
Slip	1.10%
NEMA Design	B
Moment of Inertia	8.6 lb.ft.^2
Locked Rotor Time (Hot)	13 seconds
Sound Pressure Level	78 dB(A)
Number of Starts	2 Cold/ 1 Hot
Max Ambient Temperature	40°C
Max Elevation	1000 m.a.s.l (3300 f.a.s.l)
Mounting	F1
Rotation	Bi-Directional
Area of Classification	Class I, Division 2, Groups A, B, C, D
Inverter Rating	10:1 CT / 20:1 VT PWM Type
Standard	NEMA MG-1
Approvals	CSA-US, CE

EFFICIENCY/POWER FACTOR		
LOAD	EFF	P. F.
100%	93.6 %	0.85
75%	93.6 %	0.83
50%	92.9 %	0.77

TORQUE		
FULL LOAD	LRT	BDT
111 lb.ft.	195 %	230 %

AMPERAGE INFORMATION		
	230V	460V
Full Load Amps	177A	88.3A
Locked Rotor Amps	1085A	542.5A
No Load Current	50A	25A
Usable at 208V	195A	

BEARING INFORMATION	
DE Bearing	6313 C3
ODE Bearing	6312 C3
Grease Type	SKF LGHP 2
DE Regreasing Interval	1800 Hours
ODE Regreasing Interval	2400 Hours

ADDITIONAL DATA	
F2 Suitable	Yes
Shaft Material	1045 Carbon Steel
Connection Diagram	230 / 460 V - 12 Lead Δ
Approximate Weight	787 lbs.

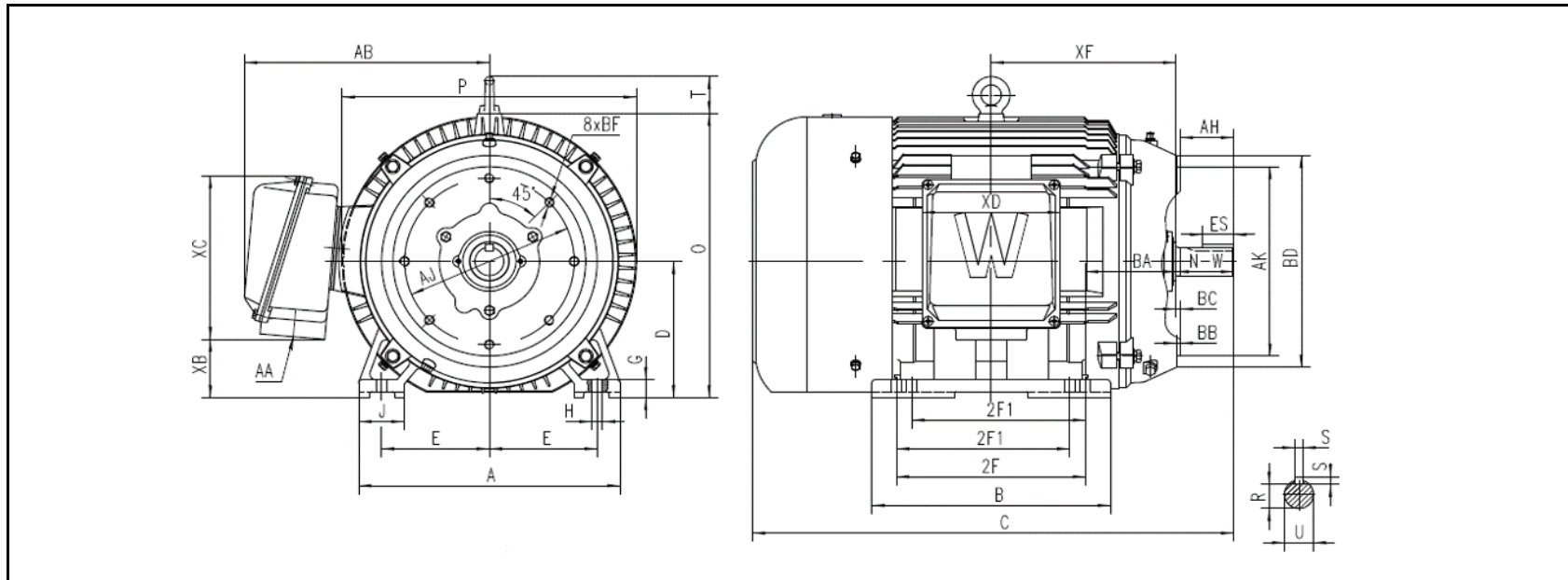
MOTOR DRAWING

Premium Efficiency Motor: **PEWWE75-36-365TSC**

WorldWide Electric Corporation

1 (800) 808-2131

Worldwideelectric.net



DIMENSION - INCHES

MOUNTING					A	B	C	D	G	J	P	O	T	AB
E	2F1	2F	H	BA										
7	11.25	12.25	0.66	5.88	16.969	15.472	31.23	9	1.181	2.953	19.091	18.8	2.441	15.899

SHAFT & KEY					
S	ES	R	N-W	AH	U
0.5	2.03	1.591	3.75	3.5	1.875

TERMINAL BOX				
AA	XB	XC	XD	XF
3	3.849	10.783	8.976	11.988

FLANGE					
AJ	AK	BB	BD	BF	BC
11	12.5	0.25	13.989	5/8-11	0.25

PERFORMANCE CURVES

WorldWide Electric Corporation

1 (800) 808-2131

Worldwideelectric.net



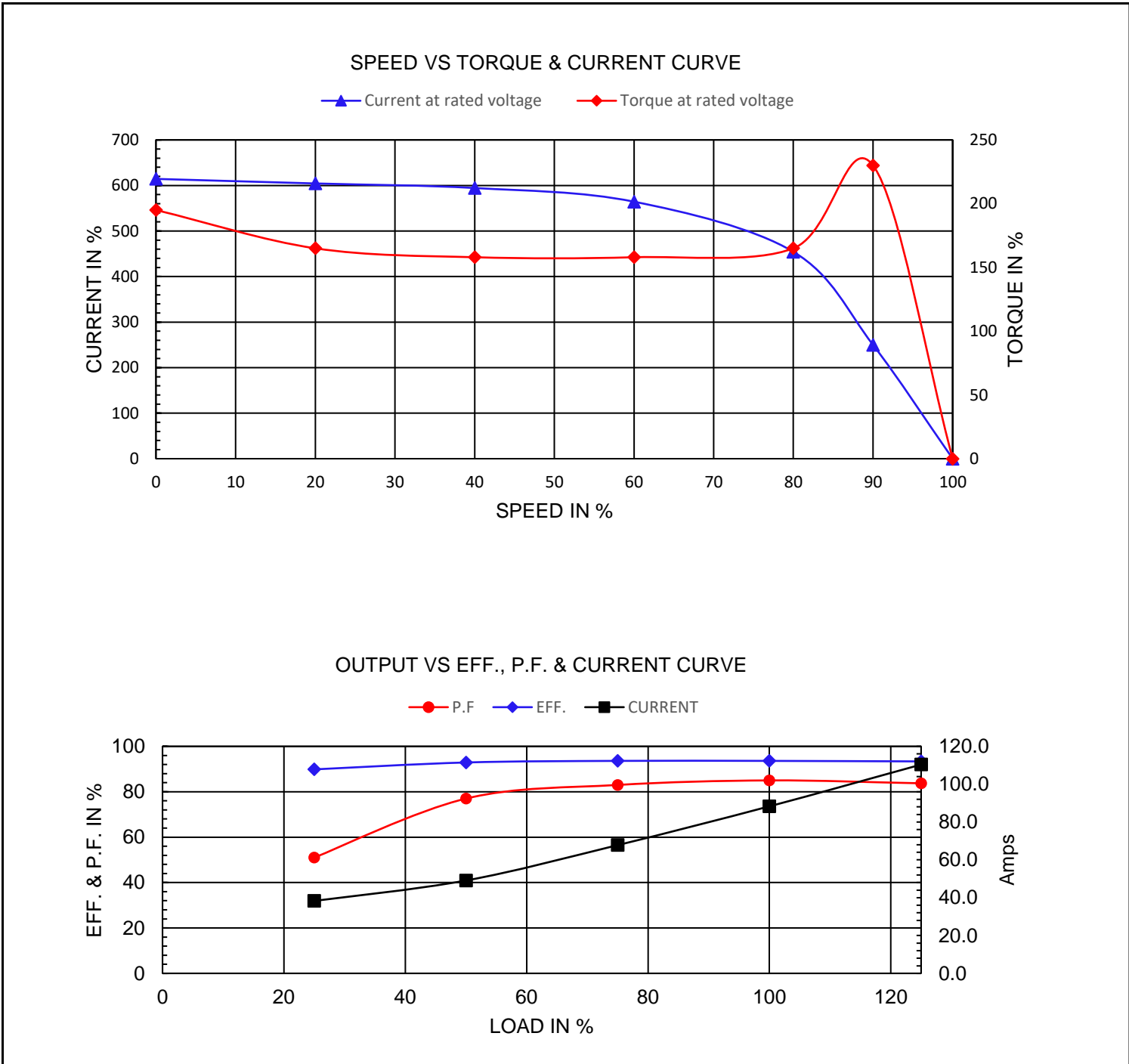
Premium Efficiency Motor:

PEWWE75-36-365TSC

Document Generated: 16-Feb-2023
Document ID:

Customer:

Motor Type	PEWWE			FL Speed	3560		
Output Rating (HP)	75			LRT (%FLT)	195	460 volt FLA	88.3
Full Load Torque	111	lb.ft		BDT (%FLT)	230	230 volt FLA	177
Rotor Wk^2	8.6	lb-ft^2					



NAMEPLATE / WIRING

WorldWide Electric Corporation

1 (800) 808-2131

Worldwideelectric.net



WORLDWIDE
ELECTRIC CORPORATION

Premium Efficiency Motor:

PEWWE75-36-365TSC

Document Generated: 16-Feb-2023
Document ID:

Customer:

SAMPLE NAMEPLATE DATA

		NEMA Premium		3-PHASE INDUCTION MOTOR		259277		CE																																				
Model		Ser No.		<table border="1"> <tr> <td colspan="3">Low Voltage</td> </tr> <tr> <td>6</td> <td>4</td> <td>5</td> </tr> <tr> <td>7</td> <td>8</td> <td>9</td> </tr> <tr> <td>12</td> <td>10</td> <td>11</td> </tr> <tr> <td>1</td> <td>2</td> <td>3</td> </tr> <tr> <td>L1</td> <td>L2</td> <td>L3</td> </tr> <tr> <td colspan="3">High Voltage</td> </tr> <tr> <td>4</td> <td>5</td> <td>6</td> </tr> <tr> <td>7</td> <td>8</td> <td>9</td> </tr> <tr> <td>12</td> <td>10</td> <td>11</td> </tr> <tr> <td>1</td> <td>2</td> <td>3</td> </tr> <tr> <td>L1</td> <td>L2</td> <td>L3</td> </tr> </table>					Low Voltage			6	4	5	7	8	9	12	10	11	1	2	3	L1	L2	L3	High Voltage			4	5	6	7	8	9	12	10	11	1	2	3	L1	L2	L3
Low Voltage																																												
6	4	5																																										
7	8	9																																										
12	10	11																																										
1	2	3																																										
L1	L2	L3																																										
High Voltage																																												
4	5	6																																										
7	8	9																																										
12	10	11																																										
1	2	3																																										
L1	L2	L3																																										
HP		S.F.		IP		Encl																																						
Frame		P.F.		Code		Type																																						
Voltage	230/460	Hz		Ins Cl		Rating	°C	Amb Cont																																				
Amps		RPM		Design		Date																																						
Nom.Eff.	FL	% 3/4	% 230/460 V	10:1 CT	20:1 VT	PWM VFD	1.0SF																																					
Class I DIV. 2 Groups A B C D		Amb.40°C		DE Brng																																								
Class I Zone 2 II C		Amb.55°C		ODE Brng																																								
				Grease type: LGHP 2 (compatible with polyrex)																																								
50Hz		HP	V	A	rpm	1.0SF																																						
WorldWide Electric Corporation																																												

Model	PEWWE75-36-365TSC							
HP	75	S.F.	1.25	IP	IP55	Encl	TEFC	
Frame	365TSC	P.F.	0.85	Code	G	Type		
Voltage	230/460 V	Hz	60 Hz	Ins Cl	F	Ambient	40°C	
Amps	177/88.3	RPM	3560	Design	B	DE Brng	6313 C3	
Nom.Eff.	FL	93.6%	3/4	93.6%		ODE Brng	6312 C3	
						Grease type:	SKF LGHP 2	
50Hz	75 HP	200/400 V	204/102	A	2960 rpm			