

DATA SHEET

Premium Efficiency Motor: **PEWWE7.5-9-256T**

60 Hz

WorldWide Electric Corporation

1 (800) 808-2131

Worldwideelectric.net



Document Generated: 15-Feb-2023
Document ID:

Customer:

MOTOR INFORMATION	
HP	7.5
RPM	900
Phase	3
Frequency	60 Hz
Voltage	230/460 V
Frame Size	256T
Enclosure	TEFC
Degree of Protection	IP55
Service Factor	1.25
Poles	8
Full Load Speed	865
Insulation Class	F
Temp Rise	80°C
NEMA Code Letter	H
Duty Cycle	S1 / Continuous
Slip	3.89%
NEMA Design	B
Moment of Inertia	1.89 lb.ft.^2
Locked Rotor Time (Hot)	16 seconds
Sound Pressure Level	66 dB(A)
Number of Starts	2 Cold/ 1 Hot
Max Ambient Temperature	40°C
Max Elevation	1000 m.a.s.l (3300 f.a.s.l)
Mounting	F1
Rotation	Bi-Directional
Area of Classification	Class I, Division 2, Groups A, B, C, D
Inverter Rating	10:1 CT / 20:1 VT PWM Type
Standard	NEMA MG-1
Approvals	CSA-US, CE

EFFICIENCY/POWER FACTOR		
LOAD	EFF	P. F.
100%	86.5 %	0.75
75%	87.2 %	0.67
50%	86.8 %	0.54

TORQUE		
FULL LOAD	LRT	BDT
45.5 lb.ft.	170 %	250 %

AMPERAGE INFORMATION		
	230V	460V
Full Load Amps	21.6A	10.8A
Locked Rotor Amps	127A	63.5A
No Load Current	11.6A	5.8A
Usable at 208V	23.9A	

BEARING INFORMATION	
DE Bearing	6309 C3
ODE Bearing	6209 C3
Grease Type	-
DE Regreasing Interval	8500 Hours
ODE Regreasing Interval	8500 Hours

ADDITIONAL DATA	
F2 Suitable	Yes
Shaft Material	1045 Carbon Steel
Connection Diagram	230 / 460 V - 9 Lead Δ
Approximate Weight	242 lbs.

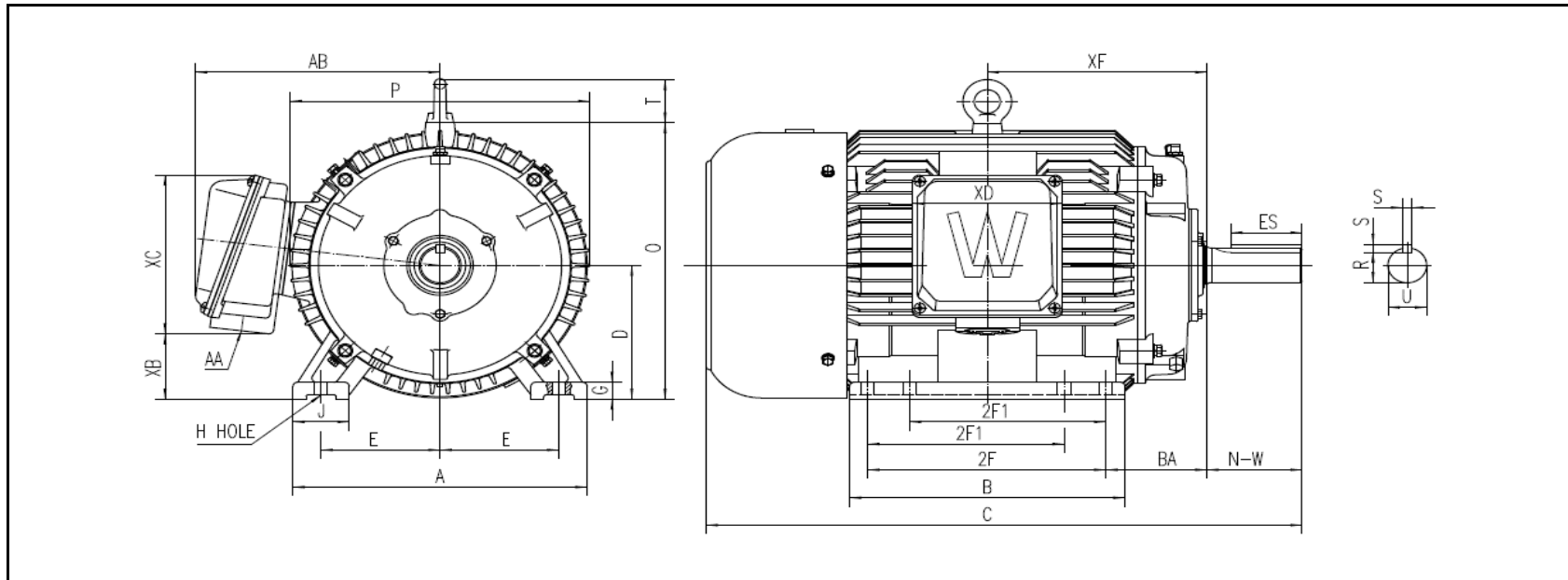
MOTOR DRAWING

Premium Efficiency Motor: **PEWWE7.5-9-256T**

WorldWide Electric Corporation

1 (800) 808-2131

Worldwideelectric.net



DIMENSION - INCHES

MOUNTING					A	B	C	D	G	J	P	O	T	AB
E	2F1	2F	H	BA										
5	8.25	10	0.53	4.25	12.362	11.575	25.041	6.25	0.787	2.362	12.598	12.894	2.006	10.276

SHAFT & KEY				
S	ES	R	N-W	U
0.375	2.91	1.416	4	1.625

TERMINAL BOX				
AA	XB	XC	XD	XF
1 1/2	3.047	7.406	6.299	9.23

PERFORMANCE CURVES

WorldWide Electric Corporation

1 (800) 808-2131

Worldwideelectric.net



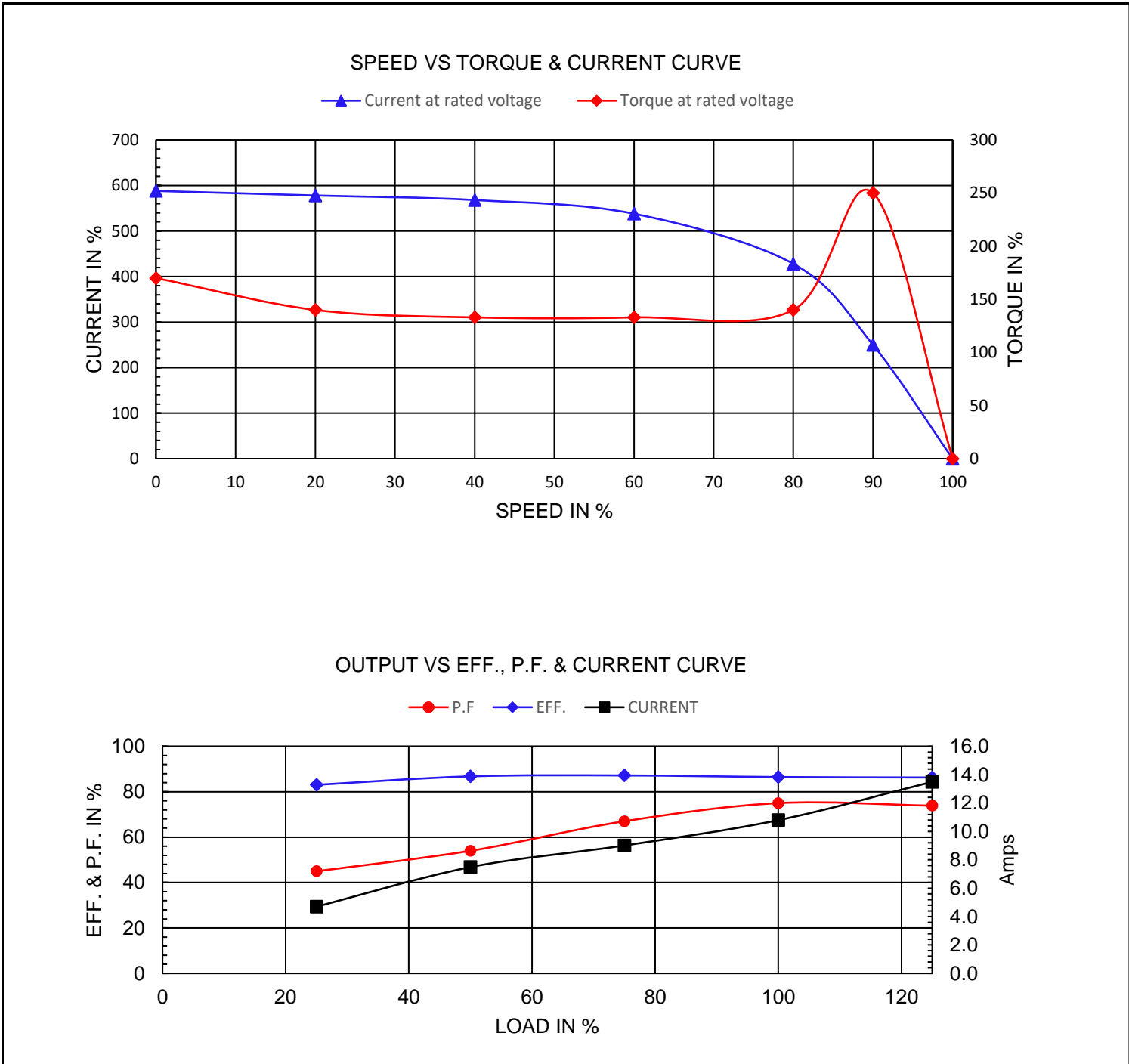
Premium Efficiency Motor:

PEWWE7.5-9-256T

Document Generated: 15-Feb-2023
 Document ID:

Customer:

Motor Type	PEWWE		FL Speed	865	
Output Rating (HP)	7.5		LRT (%FLT)	170	460 volt FLA 10.8 A
Full Load Torque	45.5	lb.ft	BDT (%FLT)	250	230 volt FLA 21.6 A
Rotor Wk^2	1.89	lb-ft^2			



NAMEPLATE / WIRING

WorldWide Electric Corporation

1 (800) 808-2131

Worldwideelectric.net



Premium Efficiency Motor:

PEWWE7.5-9-256T

Document Generated: 15-Feb-2023
Document ID:

Customer:

SAMPLE NAMEPLATE DATA

		NEMA Premium		3-PHASE INDUCTION MOTOR		259277 		CC006A
Model				Ser No.				Low Voltage 6 4 5 7 8 9 1 2 3 L1 L2 L3
HP	S.F.			IP			High Voltage 4 5 6 7 8 9 1 2 3 L1 L2 L3	
Frame	P.F.			Code				
Voltage	230/460	Hz		Ins Cl				
Amps		RPM		Design			Date	
Nom.Eff.	FL	% 3/4	%	230/460V	10:1 CT	20:1 VT	PWM VFD	1.0SF
				DE Brng				
Class I DIV. 2 Groups A B C D				Amb.40°C	T3C(160°C)	ODE Brng		
Class I Zone 2 IIC				Amb.55°C	T3A(180°C)	Grease type:		
50Hz		HP	V	A	rpm	S.F1.0		
WorldWide Electric Corporation								

Model	PEWWE7.5-9-256T						
HP	7.5	S.F.	1.25	IP	IP55	Encl	TEFC
Frame	256T	P.F.	0.75	Code	H	Type	
Voltage	230/460 V	Hz	60 Hz	Ins Cl	F	Ambient	40°C
Amps	21.6/10.8	RPM	865	Design	B	DE Brng 6309 C3	
Nom.Eff.	FL	86.5%	3/4	87.2%	ODE Brng 6209 C3		
						Grease type: -	
50Hz		7.5 HP	200/400 V	25.7/12.8 A	715 rpm		