

# DATA SHEET

Premium Efficiency Motor: **PEWWE7.5-18-213TC**

**60 Hz**

WorldWide Electric Corporation

1 (800) 808-2131

Worldwideelectric.net



Document Generated: 16-Feb-2023  
Document ID:

Customer:

MOTOR INFORMATION	
HP	7.5
RPM	1800
Phase	3
Frequency	60 Hz
Voltage	230/460 V
Frame Size	213TC
Enclosure	TEFC
Degree of Protection	IP55
Service Factor	1.25
Poles	4
Full Load Speed	1760
Insulation Class	F
Temp Rise	80°C
NEMA Code Letter	H
Duty Cycle	S1 / Continuous
Slip	2.22%
NEMA Design	B
Moment of Inertia	0.652 lb.ft.^2
Locked Rotor Time (Hot)	12 seconds
Sound Pressure Level	63 dB(A)
Number of Starts	2 Cold/ 1 Hot
Max Ambient Temperature	40°C
Max Elevation	1000 m.a.s.l (3300 f.a.s.l)
Mounting	F1
Rotation	Bi-Directional
Area of Classification	Class I, Division 2, Groups A, B, C, D
Inverter Rating	10:1 CT / 20:1 VT PWM Type
Standard	NEMA MG-1
Approvals	CSA-US, CE

EFFICIENCY/POWER FACTOR		
LOAD	EFF	P. F.
100%	91.7 %	0.83
75%	91.8 %	0.78
50%	91.2 %	0.67

TORQUE		
FULL LOAD	LRT	BDT
22.4 lb.ft.	170 %	280 %

AMPERAGE INFORMATION		
	230V	460V
Full Load Amps	18.5A	9.23A
Locked Rotor Amps	127A	63.5A
No Load Current	8A	4A
Usable at 208V	20.4A	

BEARING INFORMATION	
DE Bearing	6308ZZ C3
ODE Bearing	6207ZZ C3
Grease Type	--
DE Regreasing Interval	- Hours
ODE Regreasing Interval	- Hours

ADDITIONAL DATA	
F2 Suitable	No
Shaft Material	1045 Carbon Steel
Connection Diagram	230 / 460 V - 9 Lead Y
Approximate Weight	158 lbs.

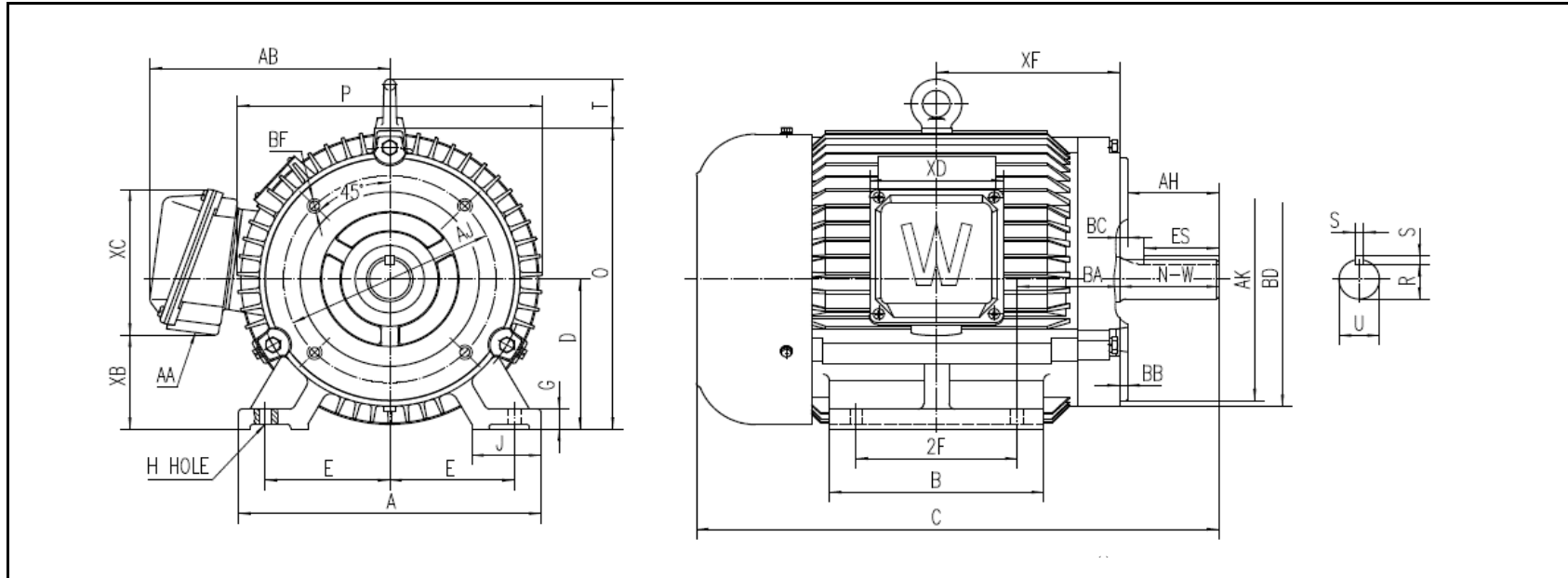
# MOTOR DRAWING

Premium Efficiency Motor: **PEWWE7.5-18-213TC**

WorldWide Electric Corporation

1 (800) 808-2131

Worldwideelectric.net



## DIMENSION - INCHES

MOUNTING					A	B	C	D	G	J	P	O	T	AB
E	2F1	2F	H	BA										
4.25	--	5.5	0.41	3.5	10.315	7.323	17.823	5.25	0.709	2.362	10.389	10.526	1.732	8.178

SHAFT & KEY					
S	ES	R	N-W	AH	U
0.312	2.41	1.201	3.38	3.12	1.375

TERMINAL BOX				
AA	XB	XC	XD	XF
1	3.296	5.098	4.567	6.254

FLANGE					
AJ	AK	BB	BD	BF	BC
7.25	8.5	0.25	8.898	1/2-13	0.25

# PERFORMANCE CURVES

WorldWide Electric Corporation

1 (800) 808-2131

Worldwideelectric.net



Premium Efficiency Motor:

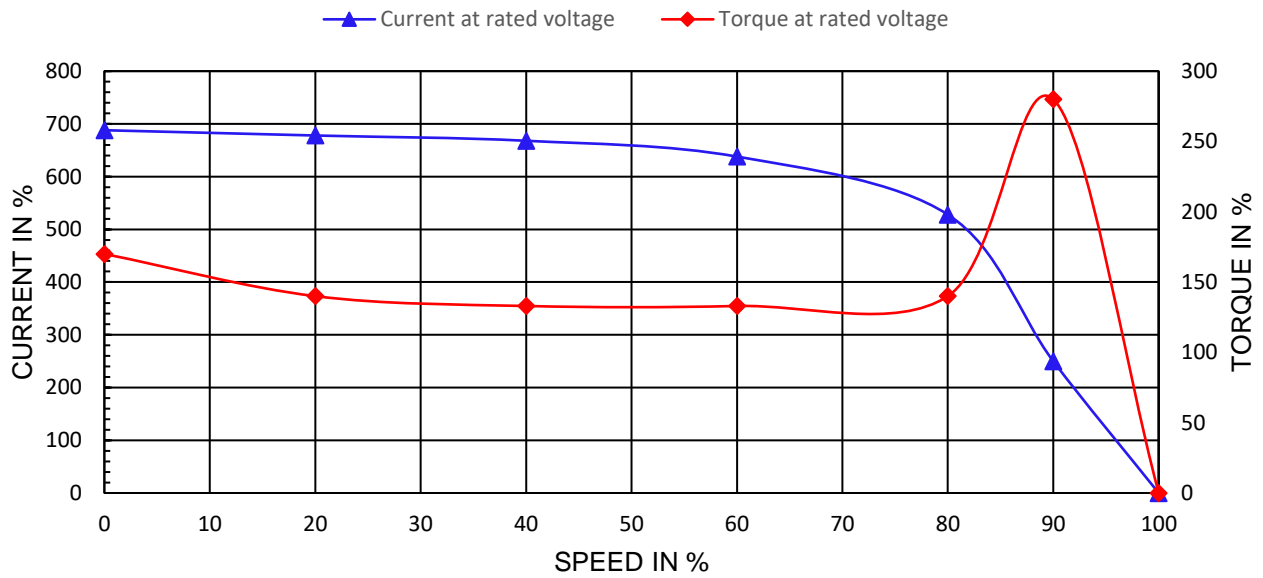
**PEWWE7.5-18-213TC**

Document Generated: 16-Feb-2023  
 Document ID:

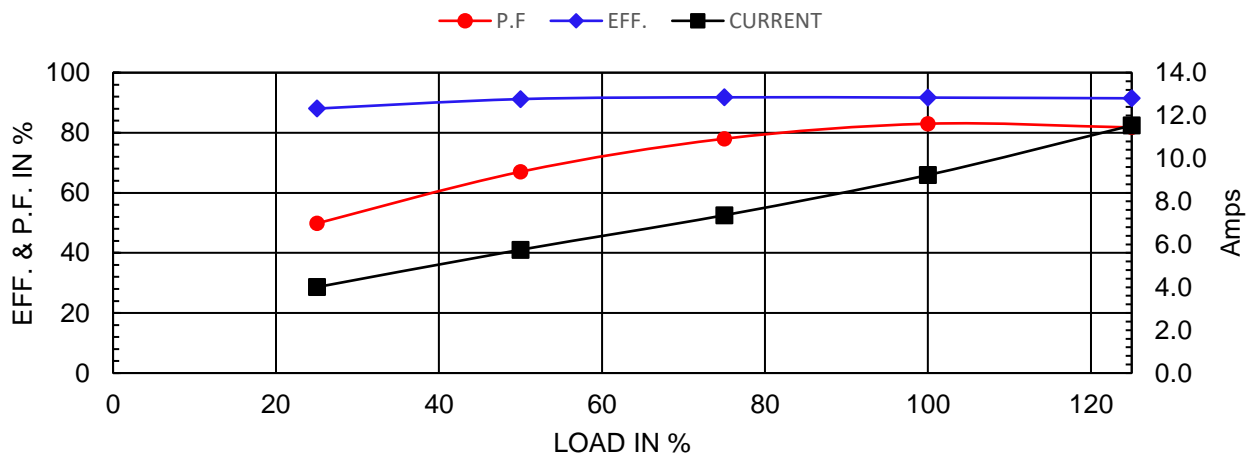
Customer:

Motor Type	PEWWE				
Output Rating (HP)	7.5	FL Speed	1760		
Full Load Torque	22.4 lb.ft	LRT (%FLT)	170	460 volt FLA	9.23
Rotor Wk^2	0.652 lb-ft^2	BDT (%FLT)	280	230 volt FLA	18.5

SPEED VS TORQUE & CURRENT CURVE



OUTPUT VS EFF., P.F. & CURRENT CURVE



# NAMEPLATE / WIRING

WorldWide Electric Corporation

1 (800) 808-2131

Premium Efficiency Motor:

**PEWWE7.5-18-213TC**

Worldwideelectric.net



Document Generated: 16-Feb-2023  
Document ID:

Customer:

## SAMPLE NAMEPLATE DATA

		<b>NEMA Premium</b>		3-PHASE INDUCTION MOTOR		259277 	 CC006A
Model	<input type="text"/>	Ser No.	<input type="text"/>				
HP	<input type="text"/>	S.F.	<input type="text"/>	IP	<input type="text"/>	Encl	<input type="text"/>
Frame	<input type="text"/>	P.F.	<input type="text"/>	Code	<input type="text"/>	Type	<input type="text"/>
Voltage	230/460	Hz	<input type="text"/>	Ins Cl	<input type="text"/>	Rating	°C Amb Cont
Amps	<input type="text"/>	RPM	<input type="text"/>	Design	<input type="text"/>	Date	<input type="text"/>
Nom. Eff.	FL	% 3/4	% 230/460V	10:1 CT 20:1 VT PWM VFD 1.0SF			
Class I DIV. 2 Groups A B C D				Amb. 40°C	T3C(160°C)	DE Brng	
Class I Zone 2 IIC				Amb. 55°C	T3A(180°C)	ODE Brng	
				Grease type:			
50Hz		HP	V	A	rpm	S.F1.0	

Model	<input type="text" value="PEWWE7.5-18-213TC"/>							
HP	<input type="text" value="7.5"/>	S.F.	<input type="text" value="1.25"/>	IP	<input type="text" value="IP55"/>	Encl	<input type="text" value="TEFC"/>	
Frame	<input type="text" value="213TC"/>	P.F.	<input type="text" value="0.83"/>	Code	<input type="text" value="H"/>	Type		
Voltage	<input type="text" value="230/460 V"/>	Hz	<input type="text" value="60 Hz"/>	Ins Cl	<input type="text" value="F"/>	Ambient	<input type="text" value="40°C"/>	
Amps	<input type="text" value="18.5/9.23"/>	RPM	<input type="text" value="1760"/>	Design	<input type="text" value="B"/>	DE Brng	<input type="text" value="6308ZZ C3"/>	
Nom. Eff.	<input type="text" value="FL"/>	<input type="text" value="91.7%"/>	<input type="text" value="3/4"/>	<input type="text" value="91.8%"/>	ODE Brng			<input type="text" value="6207ZZ C3"/>
						Grease type:	<input type="text" value="--"/>	
50Hz		7.5 HP	200/400 V	22.2/11.1 A	1455 rpm			