

# DATA SHEET

Premium Efficiency Motor: **PEWWE60-36-364TSC**

**60 Hz**

WorldWide Electric Corporation

1 (800) 808-2131

Worldwideelectric.net



Document Generated: 16-Feb-2023

Document ID:

Customer:

## MOTOR INFORMATION

HP	60
RPM	3600
Phase	3
Frequency	60 Hz
Voltage	230/460 V
Frame Size	364TSC
Enclosure	TEFC
Degree of Protection	IP55
Service Factor	1.25
Poles	2
Full Load Speed	3560
Insulation Class	F
Temp Rise	80°C
NEMA Code Letter	G
Duty Cycle	S1 / Continuous
Slip	1.10%
NEMA Design	B
Moment of Inertia	7.84 lb.ft.^2
Locked Rotor Time (Hot)	15 seconds
Sound Pressure Level	77 dB(A)
Number of Starts	2 Cold/ 1 Hot
Max Ambient Temperature	40°C
Max Elevation	1000 m.a.s.l (3300 f.a.s.l)
Mounting	F1
Rotation	Bi-Directional
Area of Classification	Class I, Division 2, Groups A, B, C, D
Inverter Rating	10:1 CT / 20:1 VT PWM Type
Standard	NEMA MG-1
Approvals	CSA-US, CE

## EFFICIENCY/POWER FACTOR

LOAD	EFF	P. F.
100%	93.6 %	0.85
75%	93.8 %	0.84
50%	93.2 %	0.78

## TORQUE

FULL LOAD	LRT	BDT
88.5 lb.ft.	190 %	220 %

## AMPERAGE INFORMATION

	230V	460V
Full Load Amps	141A	70.6A
Locked Rotor Amps	870A	435A
No Load Current	38A	19A
Usable at 208V	156A	

## BEARING INFORMATION

DE Bearing	6313 C3
ODE Bearing	6312 C3
Grease Type	SKF LGHP 2
DE Regreasing Interval	1800 Hours
ODE Regreasing Interval	2400 Hours

## ADDITIONAL DATA

F2 Suitable	Yes
Shaft Material	1045 Carbon Steel
Connection Diagram	230 / 460 V - 12 Lead Δ
Approximate Weight	743 lbs.

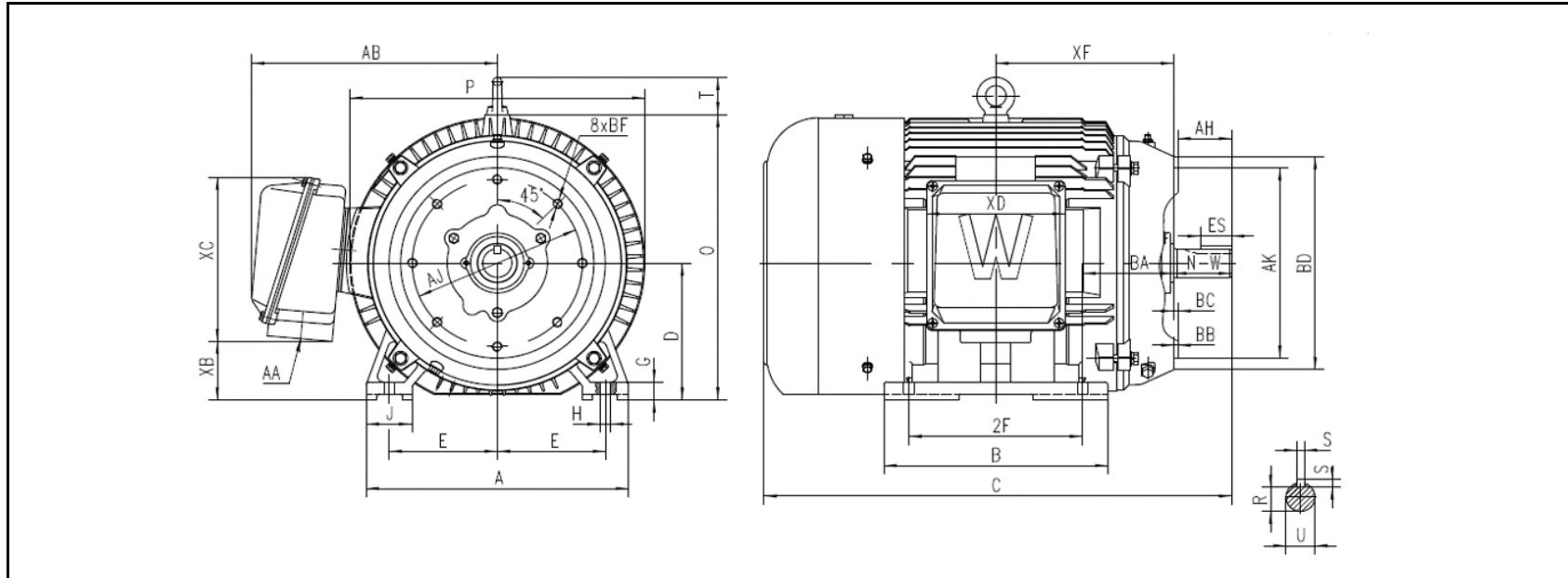
# MOTOR DRAWING

Premium Efficiency Motor: **PEWWE60-36-364TSC**

WorldWide Electric Corporation

1 (800) 808-2131

Worldwideelectric.net



## DIMENSION - INCHES

MOUNTING					A	B	C	D	G	J	P	O	T	AB
E	2F1	2F	H	BA										
7	--	11.25	0.66	5.88	16.969	14.488	30.246	9	1.181	2.953	19.091	18.8	2.441	15.899

SHAFT & KEY					
S	ES	R	N-W	AH	U
0.5	2.03	1.591	3.75	3.5	1.875

TERMINAL BOX				
AA	XB	XC	XD	XF
3	3.849	10.783	8.976	11.496

FLANGE					
AJ	AK	BB	BD	BF	BC
11	12.5	0.25	13.989	5/8-11	0.25

# PERFORMANCE CURVES

WorldWide Electric Corporation

1 (800) 808-2131

Worldwideelectric.net



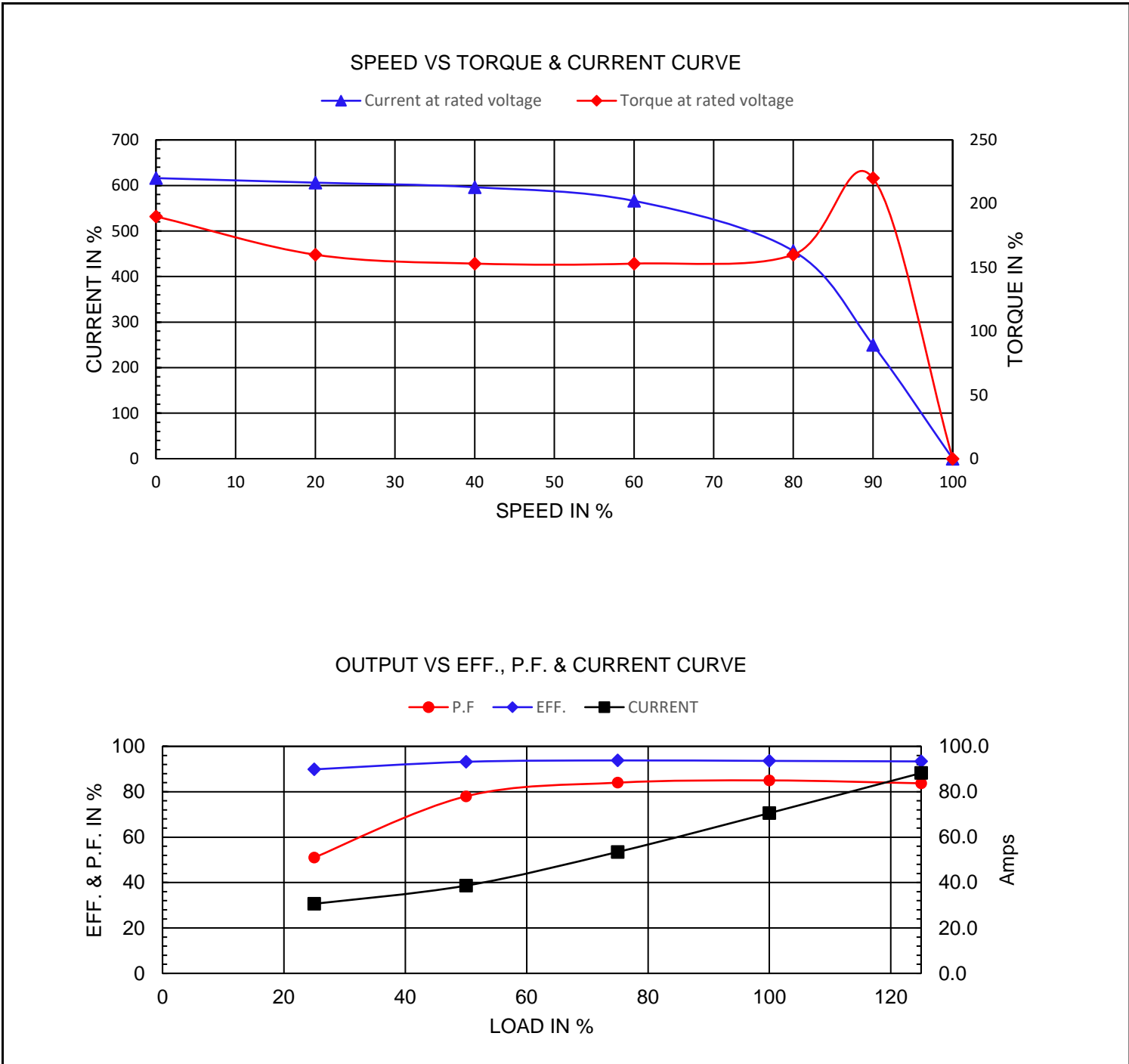
Premium Efficiency Motor:

**PEWWE60-36-364TSC**

Document Generated: 16-Feb-2023  
 Document ID:

Customer:

Motor Type	PEWWE		FL Speed	3560	
Output Rating (HP)	60		LRT (%FLT)	190	460 volt FLA 70.6
Full Load Torque	88.5	lb.ft	BDT (%FLT)	220	230 volt FLA 141
Rotor Wk^2	7.84	lb-ft^2			



# NAMEPLATE / WIRING

WorldWide Electric Corporation

1 (800) 808-2131

Worldwideelectric.net



**WORLDWIDE**  
ELECTRIC CORPORATION

Premium Efficiency Motor:

**PEWWE60-36-364TSC**

Document Generated: 16-Feb-2023  
Document ID:

Customer:

## SAMPLE NAMEPLATE DATA

		<b>NEMA Premium</b>		<b>3-PHASE INDUCTION MOTOR</b>		259277		<b>CE</b>
Model		Ser No.						
HP	S.F.	IP	Encl					
Frame	P.F.	Code	Type					
Voltage	Hz	Ins Cl	Rating	°C Amb Cont				
Amps	RPM	Design	Date					
Nom. Eff.		FL	% 3/4	% 230/460 V	10:1 CT	20:1 VT	PWM VFD	1.0SF
Class I DIV. 2 Groups A B C D		Amb. 40°C			DE Brng			
Class I Zone 2 II C		Amb. 55°C			ODE Brng			
				Grease type: LGHP 2 (compatible with polyrex)				
50Hz		HP	V	A	rpm	1.0SF		

Model	PEWWE60-36-364TSC							
HP	60	S.F.	1.25	IP	IP55	Encl	TEFC	
Frame	364TSC	P.F.	0.85	Code	G	Type		
Voltage	230/460 V	Hz	60 Hz	Ins Cl	F	Ambient	40°C	
Amps	141/70.6	RPM	3560	Design	B	DE Brng	6313 C3	
Nom. Eff.	FL	93.6%	3/4	93.8%	ODE Brng		6312 C3	
						Grease type: SKF LGHP 2		
50Hz		60 HP	200/400 V	164/81.8 A	2960 rpm			