

# DATA SHEET

Premium Efficiency Motor: **PEWWE60-12-404T**

**60 Hz**

WorldWide Electric Corporation

1 (800) 808-2131

Worldwideelectric.net



Document Generated: 15-Feb-2023

Document ID:

Customer:

## MOTOR INFORMATION

HP	60
RPM	1200
Phase	3
Frequency	60 Hz
Voltage	230/460 V
Frame Size	404T
Enclosure	TEFC
Degree of Protection	IP55
Service Factor	1.25
Poles	6
Full Load Speed	1190
Insulation Class	F
Temp Rise	80°C
NEMA Code Letter	G
Duty Cycle	S1 / Continuous
Slip	0.83%
NEMA Design	B
Moment of Inertia	30.6 lb.ft.^2
Locked Rotor Time (Hot)	13 seconds
Sound Pressure Level	73 dB(A)
Number of Starts	2 Cold/ 1 Hot
Max Ambient Temperature	40°C
Max Elevation	1000 m.a.s.l (3300 f.a.s.l)
Mounting	F1
Rotation	Bi-Directional
Area of Classification	Class I, Division 2, Groups A, B, C, D
Inverter Rating	10:1 CT / 20:1 VT PWM Type
Standard	NEMA MG-1
Approvals	CSA-US, CE

## EFFICIENCY/POWER FACTOR

LOAD	EFF	P. F.
100%	94.5 %	0.83
75%	94.8 %	0.80
50%	94.5 %	0.71

## TORQUE

FULL LOAD	LRT	BDT
265 lb.ft.	170 %	240 %

## AMPERAGE INFORMATION

	230V	460V
Full Load Amps	143A	71.6A
Locked Rotor Amps	870A	435A
No Load Current	53A	26.5A
Usable at 208V	158A	

## BEARING INFORMATION

DE Bearing	NU316 C3
ODE Bearing	6313 C3
Grease Type	SKF LGHP 2
DE Regreasing Interval	3000 Hours
ODE Regreasing Interval	4500 Hours

## ADDITIONAL DATA

F2 Suitable	Yes
Shaft Material	1045 Carbon Steel
Connection Diagram	230 / 460 V - 12 Lead Δ
Approximate Weight	979 lbs.

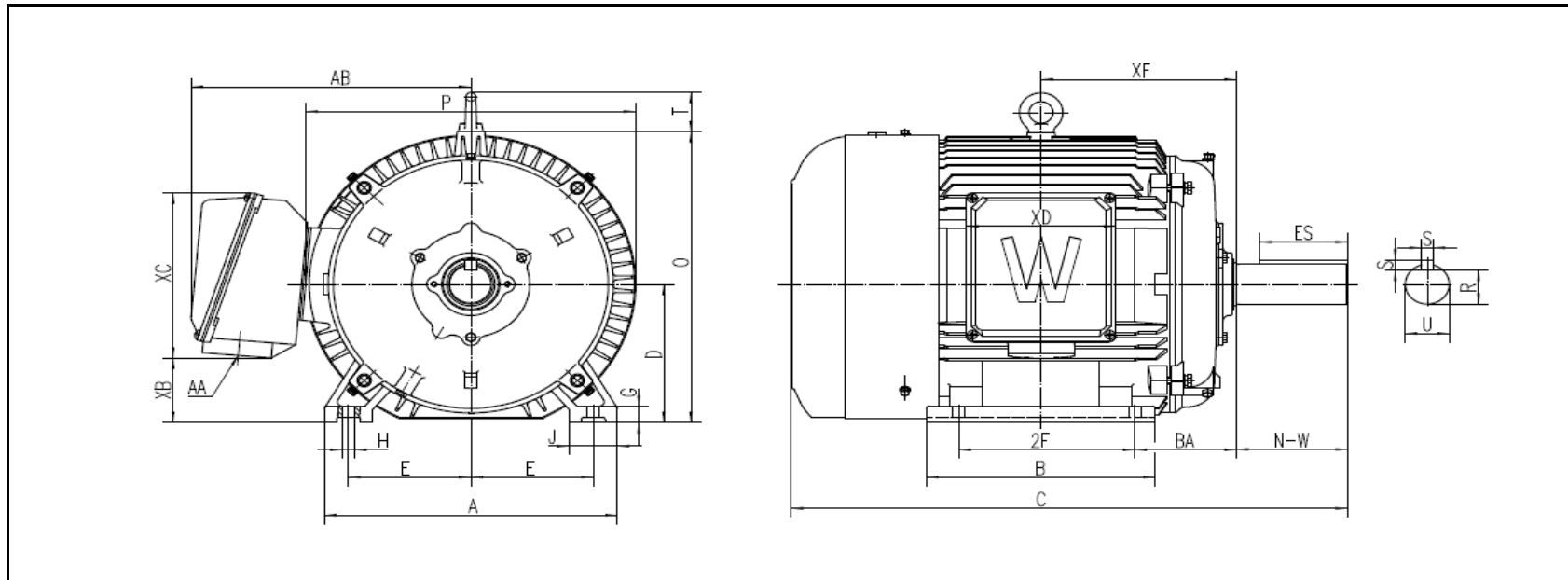
# MOTOR DRAWING

Premium Efficiency Motor: **PEWWE60-12-404T**

WorldWide Electric Corporation

1 (800) 808-2131

Worldwideelectric.net



## DIMENSION - INCHES

MOUNTING					A	B	C	D	G	J	P	O	T	AB
E	2F1	2F	H	BA										
8	--	12.25	0.81	6.62	19.136	14.961	36.319	10	1.181	3.15	21.535	21.024	2.835	18.264

SHAFT & KEY				
S	ES	R	N-W	U
0.75	5.65	2.45	7.25	2.875

TERMINAL BOX				
AA	XB	XC	XD	XF
3	4.659	11.933	9.764	12.746

# PERFORMANCE CURVES

WorldWide Electric Corporation

1 (800) 808-2131

Worldwideelectric.net



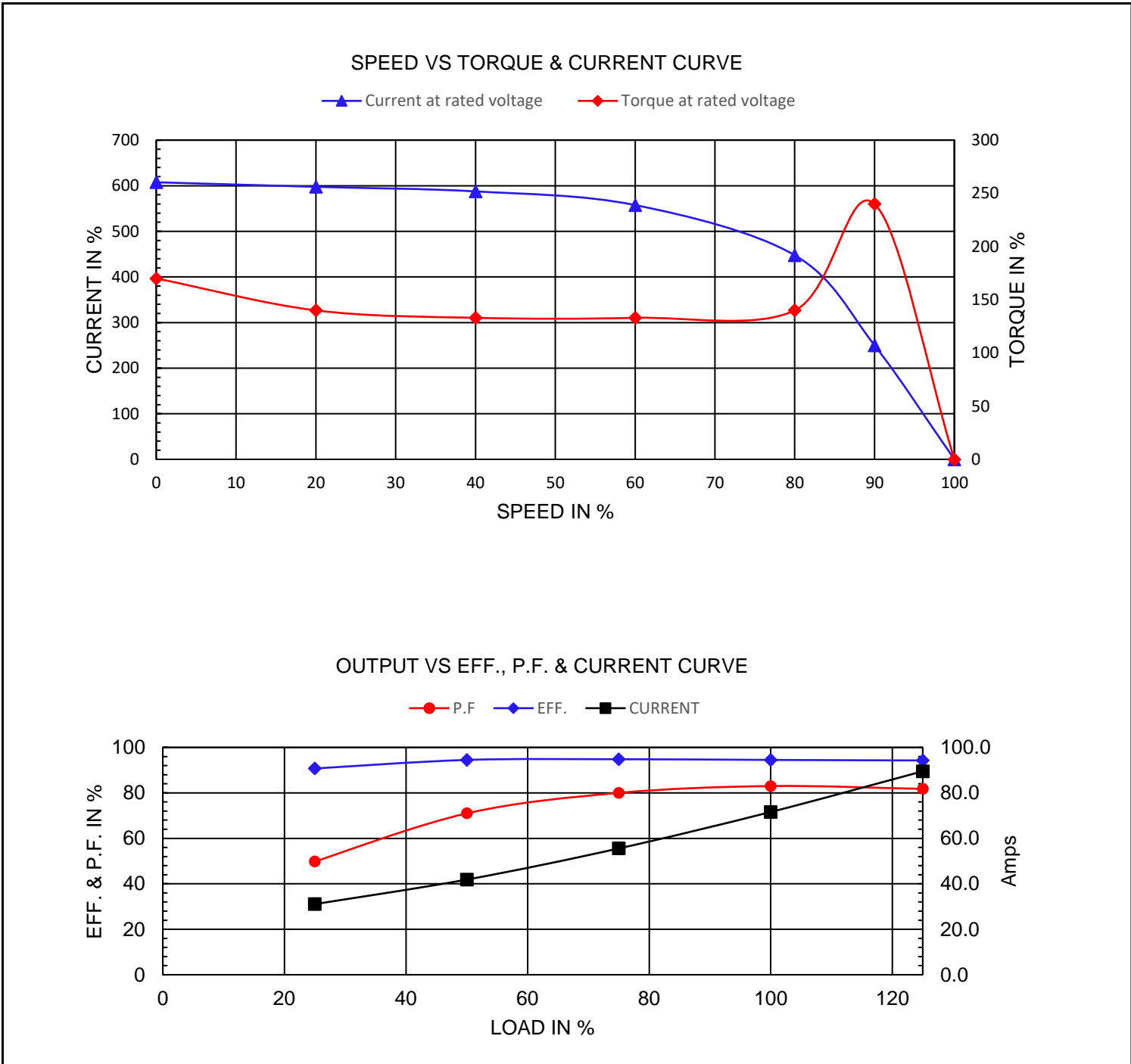
Premium Efficiency Motor:

**PEWWE60-12-404T**

Document Generated: 15-Feb-2023  
Document ID:

Customer:

Motor Type	PEWWE		FL Speed	1190		
Output Rating (HP)	60		LRT (%FLT)	170	460 volt FLA	71.6 A
Full Load Torque	265 lb.ft		BDT (%FLT)	240	230 volt FLA	143 A
Rotor Wk^2	30.6 lb-ft^2					



# NAMEPLATE / WIRING

WorldWide Electric Corporation

1 (800) 808-2131

Worldwideelectric.net



Premium Efficiency Motor:

**PEWWE60-12-404T**

Document Generated: 15-Feb-2023  
Document ID:

Customer:

## SAMPLE NAMEPLATE DATA

		<b>NEMA Premium</b>		<b>3-PHASE INDUCTION MOTOR</b>		259277 	<b>CE</b> CC006A
Model		Ser No.					
HP		S.F.		IP		Encl	
Frame		P.F.		Code		Type	
Voltage	230/460	Hz		Ins Cl		Rating	°C Amb Cont
Amps		RPM		Design		Date	
Nom.Eff.	FL	% 3/4	% 230/460V	10:1 CT	20:1 VT	PWM	VFD 1.0SF
Class I DIV. 2 Groups A B C D			Amb.40°C	DE Brng			
Class I Zone 2 IIC			Amb.55°C	ODE Brng			
				Grease type: LGHP 2 (compatible with polyrex)			
50Hz		HP	V	A	rpm	1.0SF	

Model

HP  S.F.  IP  Encl

Frame  P.F.  Code  Type

Voltage  Hz  Ins Cl  Ambient

Amps  RPM  Design  DE Brng

Nom.Eff.     ODE Brng

Grease type: