

DATA SHEET

Premium Efficiency Motor: **PEWWE5-9-254T**

60 Hz

WorldWide Electric Corporation

1 (800) 808-2131

Worldwideelectric.net



Document Generated: 15-Feb-2023

Document ID:

Customer:

MOTOR INFORMATION

HP	5
RPM	900
Phase	3
Frequency	60 Hz
Voltage	230/460 V
Frame Size	254T
Enclosure	TEFC
Degree of Protection	IP55
Service Factor	1.25
Poles	8
Full Load Speed	865
Insulation Class	F
Temp Rise	80°C
NEMA Code Letter	J
Duty Cycle	S1 / Continuous
Slip	3.89%
NEMA Design	B
Moment of Inertia	1.49 lb.ft.^2
Locked Rotor Time (Hot)	13 seconds
Sound Pressure Level	64 dB(A)
Number of Starts	2 Cold/ 1 Hot
Max Ambient Temperature	40°C
Max Elevation	1000 m.a.s.l (3300 f.a.s.l)
Mounting	F1
Rotation	Bi-Directional
Area of Classification	Class I, Division 2, Groups A, B, C, D
Inverter Rating	10:1 CT / 20:1 VT PWM Type
Standard	NEMA MG-1
Approvals	CSA-US, CE

EFFICIENCY/POWER FACTOR

LOAD	EFF	P. F.
100%	86.5 %	0.74
75%	87.2 %	0.66
50%	86.6 %	0.53

TORQUE

FULL LOAD	LRT	BDT
30.3 lb.ft.	170 %	250 %

AMPERAGE INFORMATION

	230V	460V
Full Load Amps	14.6A	7.31A
Locked Rotor Amps	92A	46A
No Load Current	8.4A	4.2A
Usable at 208V	16.2A	

BEARING INFORMATION

DE Bearing	6309 C3
ODE Bearing	6209 C3
Grease Type	-
DE Regreasing Interval	8500 Hours
ODE Regreasing Interval	8500 Hours

ADDITIONAL DATA

F2 Suitable	Yes
Shaft Material	1045 Carbon Steel
Connection Diagram	230 / 460 V - 9 Lead Δ
Approximate Weight	208 lbs.

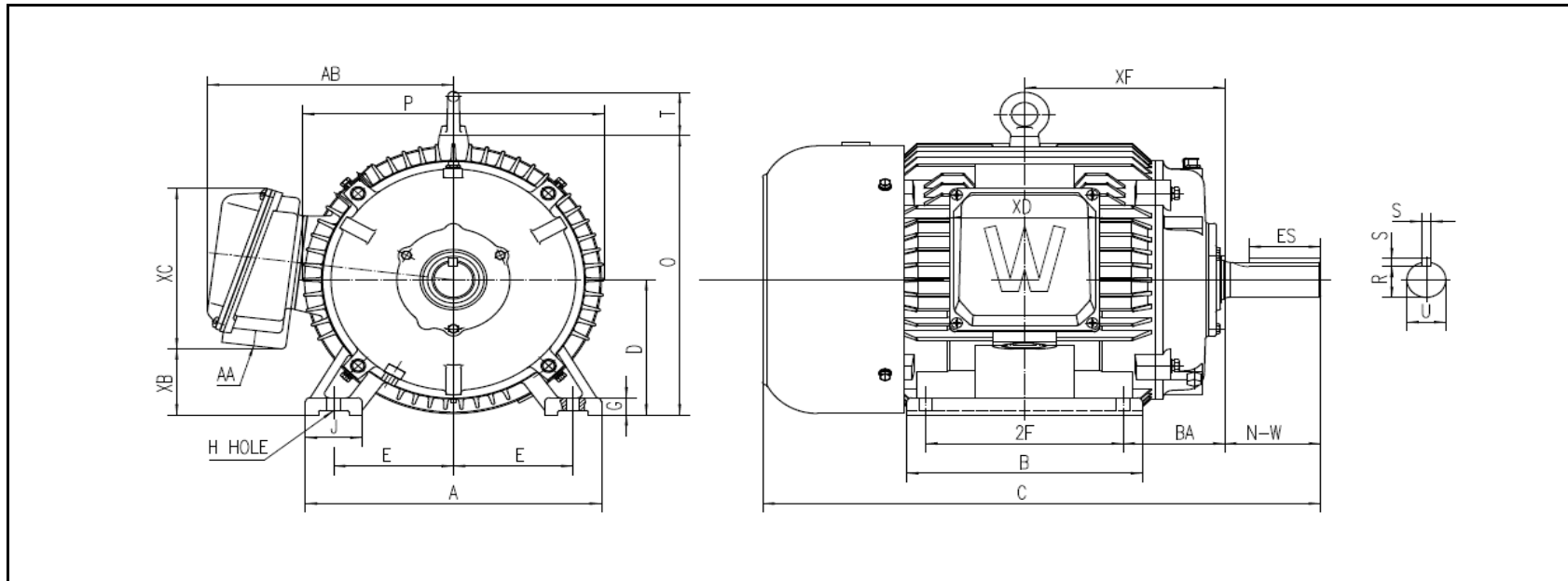
MOTOR DRAWING

Premium Efficiency Motor: **PEWWE5-9-254T**

WorldWide Electric Corporation

1 (800) 808-2131

Worldwideelectric.net



DIMENSION - INCHES

MOUNTING					A	B	C	D	G	J	P	O	T	AB
E	2F1	2F	H	BA										
5	--	8.25	0.53	4.25	12.362	9.843	23.309	6.25	0.787	2.362	12.598	12.894	2.006	10.276

SHAFT & KEY				
S	ES	R	N-W	U
0.375	2.91	1.416	4	1.625

TERMINAL BOX				
AA	XB	XC	XD	XF
1.5	3.047	7.406	6.299	8.364

PERFORMANCE CURVES

WorldWide Electric Corporation

1 (800) 808-2131

Worldwideelectric.net



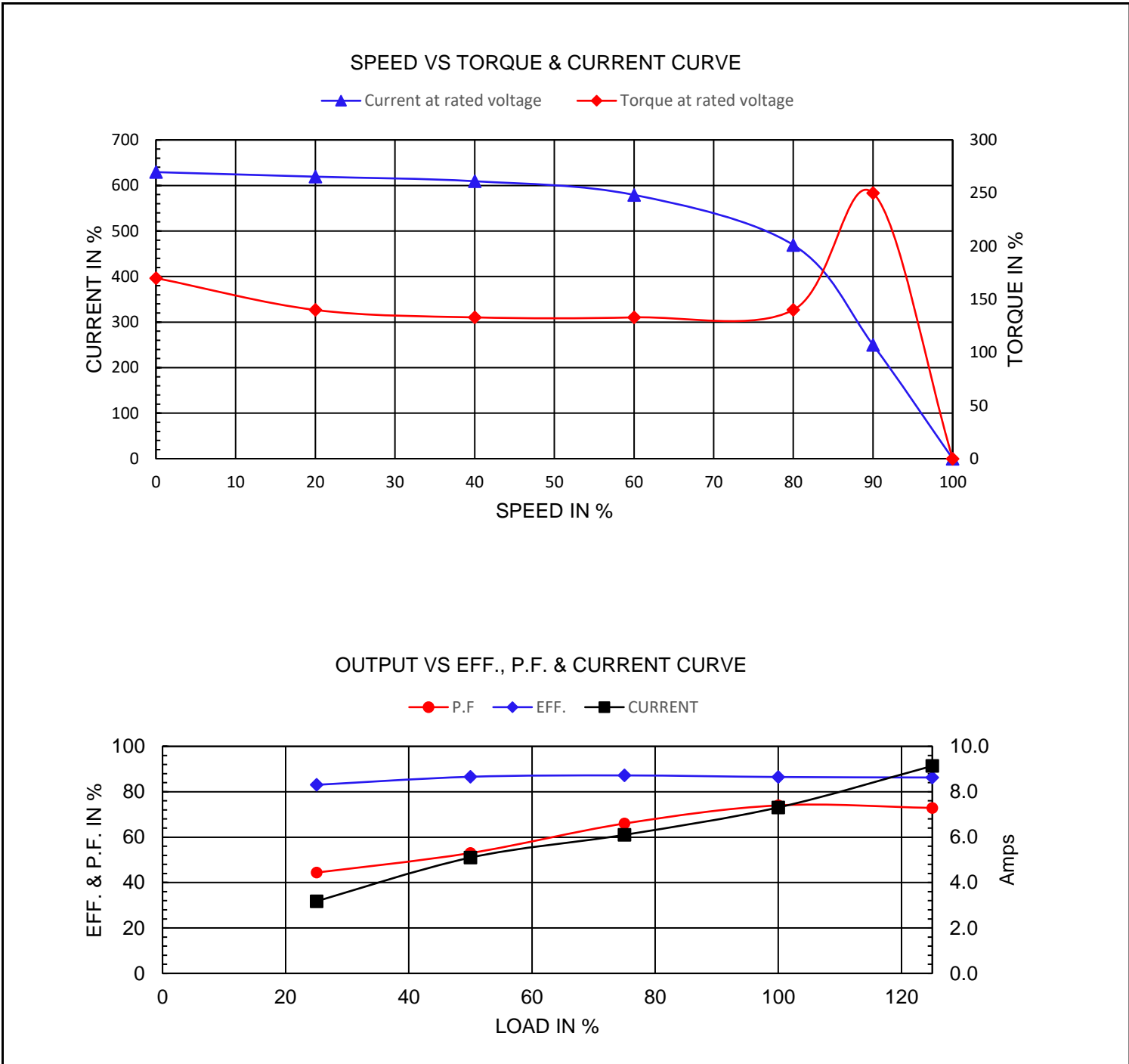
Premium Efficiency Motor:

PEWWE5-9-254T

Document Generated: 15-Feb-2023
 Document ID:

Customer:

Motor Type	PEWWE		FL Speed	865		
Output Rating (HP)	5		LRT (%FLT)	170	460 volt FLA	7.31 A
Full Load Torque	30.3	lb.ft	BDT (%FLT)	250	230 volt FLA	14.6 A
Rotor Wk^2	1.49	lb-ft^2				



NAMEPLATE / WIRING

WorldWide Electric Corporation

1 (800) 808-2131

Worldwideelectric.net



Premium Efficiency Motor:

PEWWE5-9-254T

Document Generated: 15-Feb-2023
Document ID:

Customer:

SAMPLE NAMEPLATE DATA

		NEMA Premium		3-PHASE INDUCTION MOTOR		259277 		CC006A
Model				Ser No.				
HP	S.F.	IP	Encl					
Frame	P.F.	Code	Type					
Voltage	230/460	Hz	Ins Cl	Rating	°C Amb Cont			
Amps	RPM	Design	Date					
Nom.Eff.	FL	% 3/4	% 230/460V	10:1 CT	20:1 VT	PWM	VFD	1.0SF
Class I DIV. 2 Groups A B C D			Amb.40°C	T3C(160°C)	DE Brng			
Class I Zone 2 IIC			Amb.55°C	T3A(180°C)	ODE Brng			
					Grease type:			
50Hz	HP	V	A	rpm	S.F1.0			
WorldWide Electric Corporation								

Model	PEWWE5-9-254T								
HP	5	S.F.	1.25	IP	IP55	Encl	TEFC		
Frame	254T	P.F.	0.74	Code	J	Type			
Voltage	230/460 V	Hz	60 Hz	Ins Cl	F	Ambient	40°C		
Amps	14.6/7.31	RPM	865	Design	B	DE Brng 6309 C3			
Nom.Eff.	FL	86.5%	3/4	87.2%	ODE Brng 6209 C3				
						Grease type: -			
50Hz	5 HP	200/400 V	17.8/8.88 A	715 rpm					