

# Windjammer

**Model: 150410-50**

**MECHANICAL**

DIAMETER: 5.7" (145mm)  
 DISCHARGE TYPE: Tangential  
 DISCHARGE: Ø1.75  
 APPROXIMATE WEIGHT: 7lbs

**PERFORMANCE**

FLOW CLASSIFICATION: Standard Flow  
 STAGES: 2 Stage

**TEMPERATURE**

OPERATING TEMP: 0°C to 50°C  
 STORAGE TEMP: -40°C to 85°C

**ELECTRICAL**

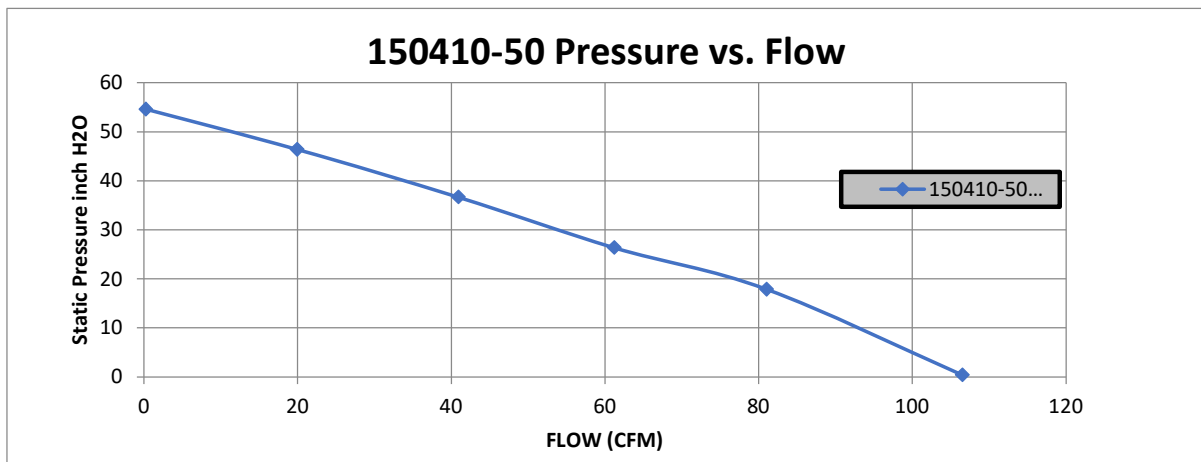
OPERATING INPUT VOLTAGE: RANGE:  
 24 VAC  
 OPERATING INPUT VOLTAGE: 24V

**FEATURES**

SPEED CONTROL: 4 Lead Power connection

**REGULATORY CERTIFICATIONS**

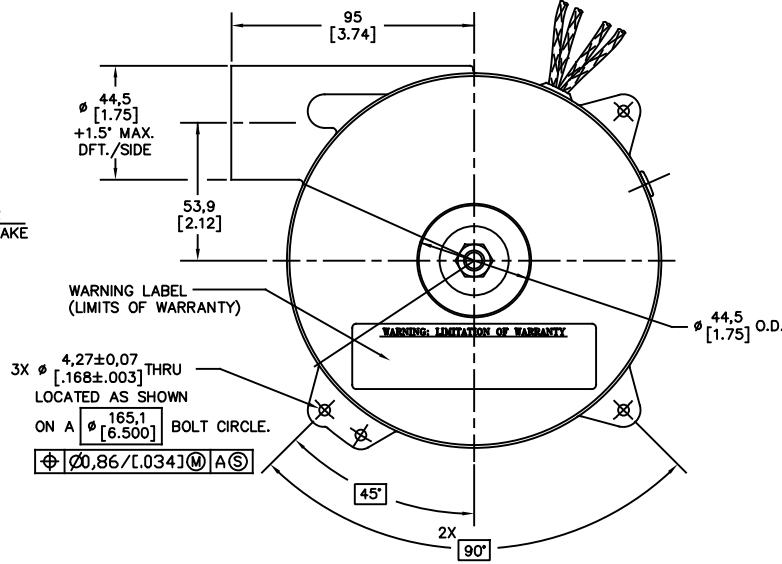
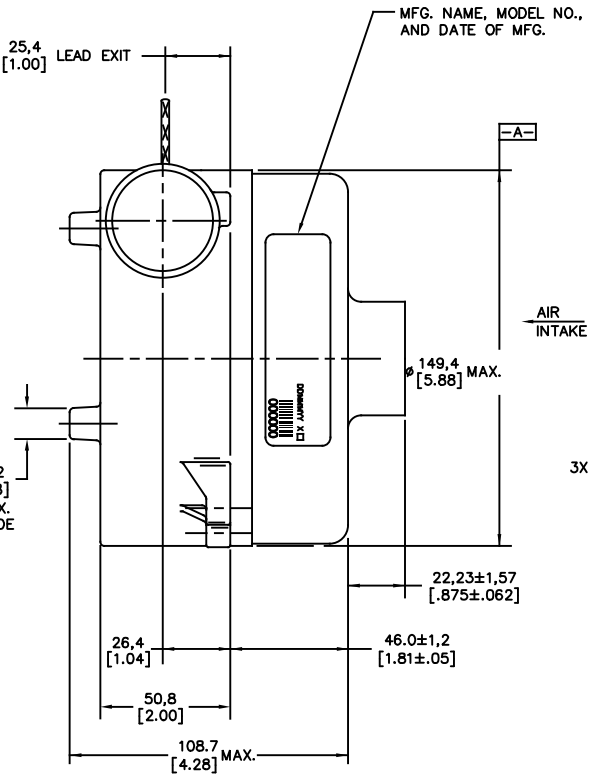
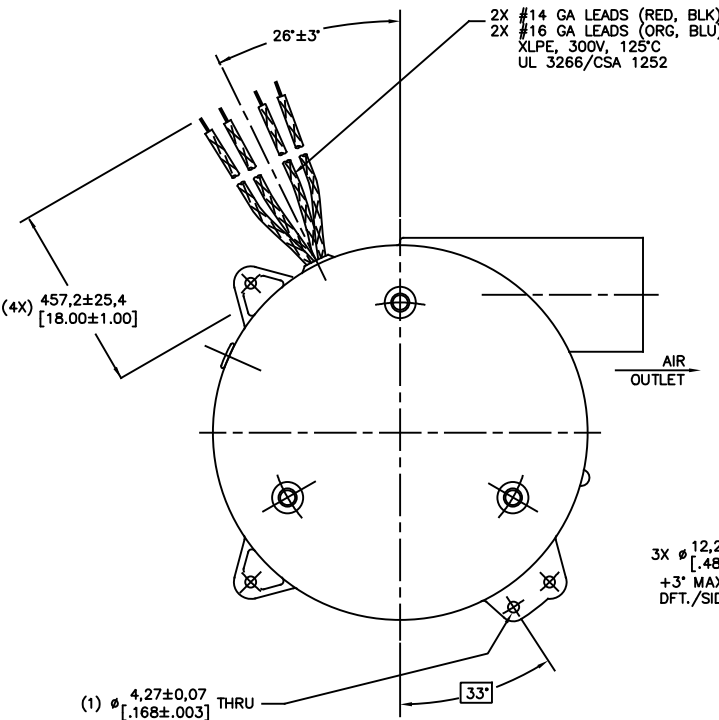
COMPLIANCE: RoHS and Reach  
 FULL LOAD AMPS: 21A



Flow Rate <i>cfm</i>	Static Pressure <i>inch H2O</i>	Total Pressure <i>inch H2O</i>	Current <i>A</i>	Power Demand <i>W</i>	Voltage <i>V</i>	Flow Temp. <i>°C</i>	Rotational Speed <i>rpm</i>	Static Efficiency <i>%</i>	Total Efficiency <i>%</i>
106.52	0.41	0.51	20.84	500.51	24.06	14.05	13080	1.03	1.27
81.02	17.88	17.93	20.89	502.76	24.10	12.16	12840	33.86	33.96
61.19	26.35	26.38	20.77	500.14	24.13	11.35	13080	37.88	37.92
40.90	36.66	36.67	20.49	492.04	24.04	8.10	424500	35.80	35.82
19.94	46.39	46.39	18.79	451.11	24.01	4.94	457200	24.09	24.09
0.24	54.59	54.59	15.18	365.49	24.07	14.86	493500	0.43	0.43

Performance Data is for Reference only

- NOTES:
1. COMPLIANT WITH EUROPEAN UNION DIRECTIVE 2002/95/EC (RoHS).
  2. OPERATING PARAMETERS: INPUT VOLTAGE RANGE: 24 VDC -3V +4V  
 PEAK STARTING CURRENT: 20A  
 OPERATING TEMPERATURE: 0°C TO 50°C  
 STORAGE TEMPERATURE: -40°C TO 85°C  
 CONTROLLER PWM FREQUENCY: 25kHz  
 0-10 VDC ANALOG SPEED CONTROL
  3. BLOWER SPEED IS PROPORTIONAL TO THE VOLTAGE APPLIED BETWEEN THE SPEED COMMAND AND GROUND PINS.  
 FULL SPEED IS ACHIEVED AT 10V OR LESS DEPENDING ON BLOWER OPERATING POINT. USER MAY CONNECT THE SPEED COMMAND PIN TOGETHER WITH THE 24V POWER SUPPLY PIN TO ENSURE FULL SPEED.
  4. SQUARE WAVE OUTPUT, FREQUENCY = 2 x ROTATIONAL FREQUENCY [SIGNAL FREQUENCY (Hz) x 30 =ROTATIONAL SPEED (RPM)]



(1) Ø 4.27 ± 0.07 THRU  
 [.168 ± 0.003]  
 LOCATED AS SHOWN  
 ON A Ø 162.56 [6.400] B.C.  
 Ø 0.86 / L.034 [M] A S

THIS PRODUCT HAS BEEN TESTED AND VALIDATED TO BE ACCEPTABLE IN OUR APPLICATION.

APPROVED BY: \_\_\_\_\_  
 PRINT NAME: \_\_\_\_\_  
 TITLE: \_\_\_\_\_  
 DATE: \_\_\_\_\_  
 COMPANY: \_\_\_\_\_

