

Micro-Jammer

150122-02

MECHANICAL

DIAMETER: 3"
DISCHARGE TYPE: Tangential
DISCHARGE: .81" Exhaust Tube
APPROXIMATE WEIGHT: 1.2lbs/.54kg

PERFORMANCE

FLOW CLASSIFICATION: Standard Flow
STAGES: 1 Stage

TEMPERATURE

OPERATING TEMP: 0°C to 50°C
STORAGE TEMP: -40°C to 85°C

ELECTRICAL

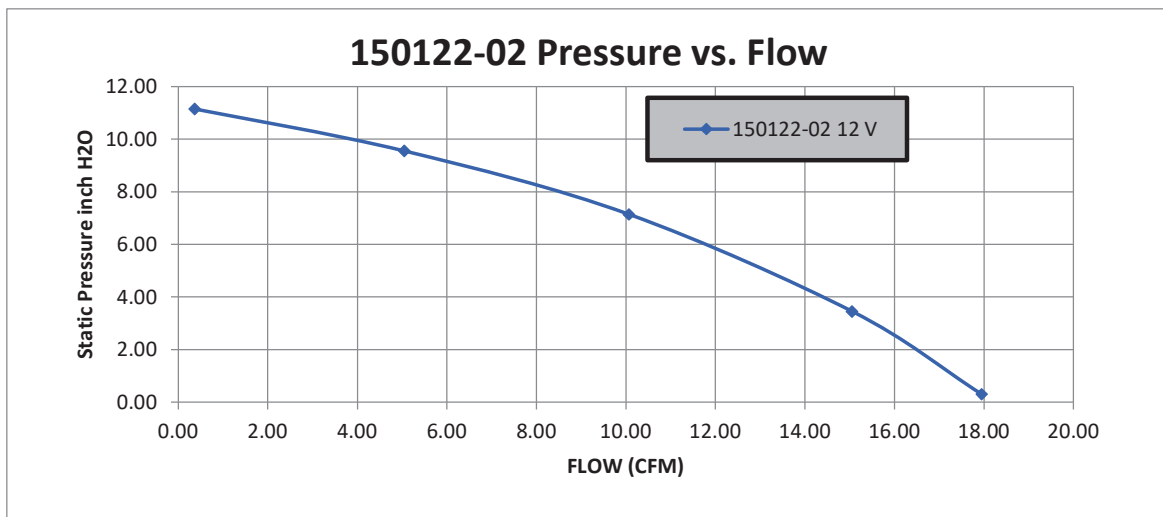
OPERATING INPUT VOLTAGE:12v
OPERATING INPUT VOLTAGE: 12v

OPTIONAL FEATURES

SPEED CONTROL: 0-4v Speed Control,
 4-pin power/control connector

REGULATORY CERTIFICATIONS

COMPLIANCE: RoHS and Reach
FULL LOAD AMPS: 1.8A



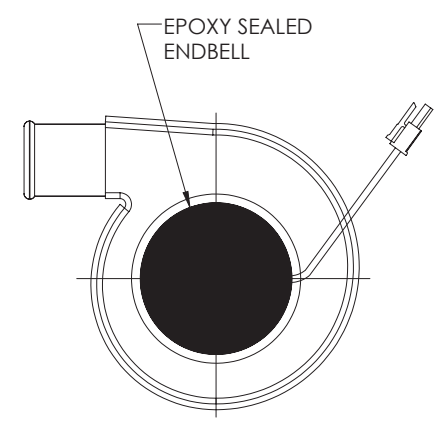
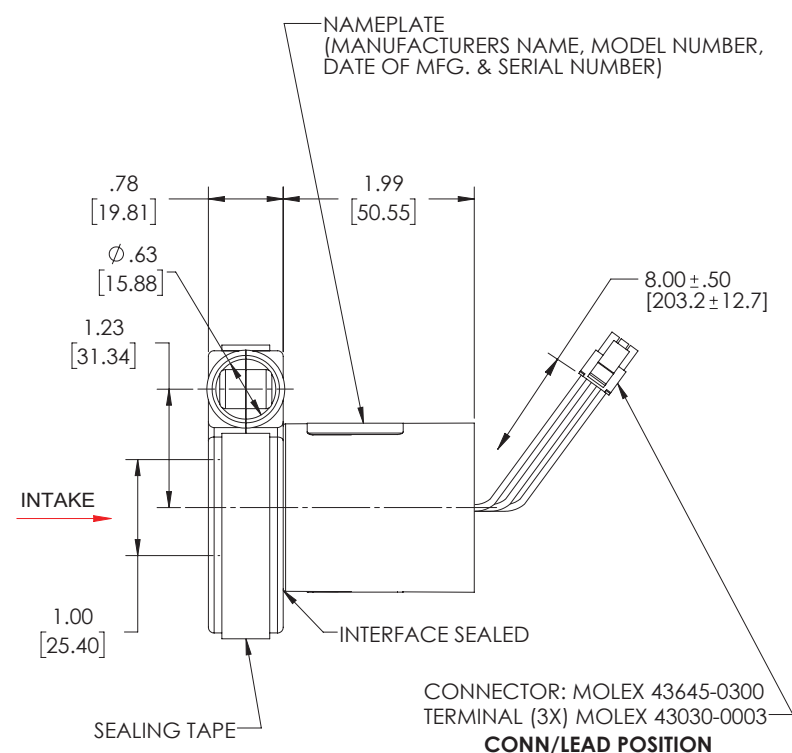
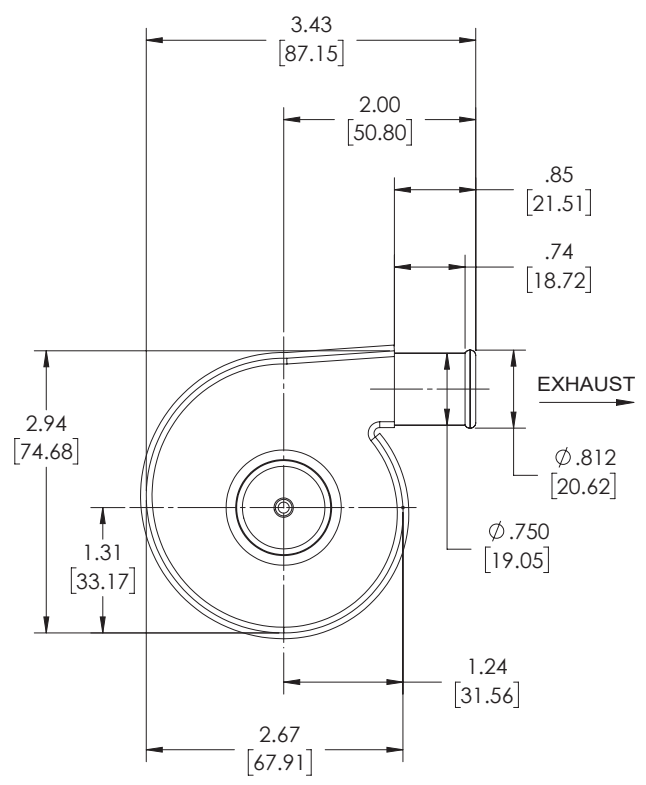
Flow Rate <i>cfm</i>	Static Pressure <i>inch H2O</i>	Total Pressure <i>inch H2O</i>	Current <i>A</i>	Power Demand <i>W</i>	Voltage <i>V</i>	Flow Temp. <i>°C</i>	Rotational Speed <i>rpm</i>	Static Efficiency <i>%</i>	Total Efficiency <i>%</i>
17.95	0.31	0.41	2.09	24.93	12.06	19.76	18930	2.58	3.43
15.05	3.45	3.52	2.07	24.73	12.06	19.72	18880	24.68	25.18
10.07	7.14	7.17	1.83	21.83	12.02	19.63	19790	38.70	38.87
5.05	9.55	9.56	1.53	18.20	12.03	19.54	21030	31.12	31.15
0.37	11.15	11.15	1.28	15.18	12.01	19.50	22070	3.16	3.16

WARNING

DESIGN APPLICATION: These blowers are small and compact ranging from 3.0" to 5.1". The MICROjammer family of brushless DC blowers are capable of pressures up to 50" H2O and flow rates of 27 CFM. These compact, reliable blowers will fit perfectly with many medical, industrial, or materials handling application.

MISCELLANEOUS: Motor cooling inlet and discharge vents must not be obstructed. Motor ventilation air to be free of oils and other foreign particles. Blower is to be mounted so ventilation air cannot be re-circulated.

NOTES:
 1. MAXIMUM ALLOWABLE VIBRATION = 3.0 G pk.pk (0-360 Hz LOW-PASS FILTER)
 MEASURED AT LOCATION SHOWN. TEST CONDITION: SEALED EXHAUST, 18500 RPM.



CONNECTOR: MOLEX 43645-0300
 TERMINAL (3X) MOLEX 43030-0003
CONN/LEAD POSITION
 PIN 1: 24AWG ORANGE
 PIN 2: 20AWG RED
 PIN 3: 20AWG BLACK

4 LEADS

RED: 20 AWG, +12 VDC, (5A MAX)
 BLACK: 20 AWG, GROUND
 ORANGE: 24 AWG, +12 VDC FOR DRIVE LOGIC, (30mA MAX)
 BROWN: 24 AWG, FAN SPEED SENSOR (PULSE OUTPUT ON/OFF 2 TIMES PER 1 MECHANICAL REVOLUTION)

NOMINAL RATINGS

VOLTAGE: 12VDC
 CURRENT: 1.8A
 SPEED: 18,200 RPM
 MAX AMBIENT: 40°C