

Mini-Jammer

119385-00

MECHANICAL

DIAMETER: 5"
DISCHARGE TYPE: Tangential
DISCHARGE: .88" Exhaust Tube
APPROXIMATE WEIGHT: 1.2lbs/.54kg

PERFORMANCE

FLOW CLASSIFICATION: Standard Flow
STAGES: 1 stage

TEMPERATURE

OPERATING TEMP: 0°C to 45°C
STORAGE TEMP: -40°C to 85°C

ELECTRICAL

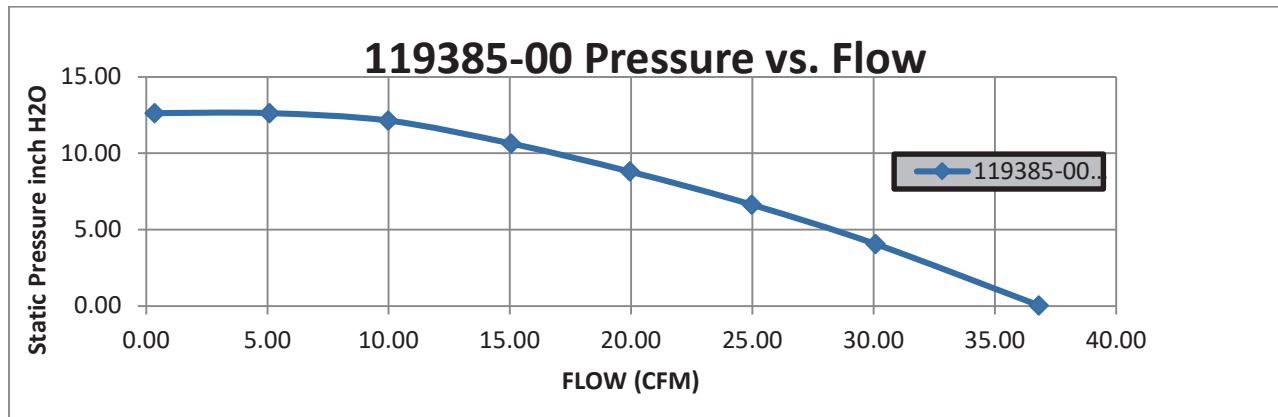
OPERATING INPUT VOLTAGE RANGE: 24v
OPERATING INPUT VOLTAGE: 24v

OPTIONAL FEATURES

SPEED CONTROL: 0-4v Speed Control, 3-pin power/control connector

REGULATORY CERTIFICATIONS

COMPLIANCE: RoHS and Reach Compliant
FULL LOAD AMPS: 3A



| Flow Rate | Static Pressure | Total Pressure | Current | Power Demand | Voltage | Flow Temperature | Rotational Speed | Static Efficiency | Total Efficiency |
|------------|-----------------|-----------------|----------|--------------|----------|------------------|------------------|-------------------|------------------|
| <i>cfm</i> | <i>inch H2O</i> | <i>inch H2O</i> | <i>A</i> | <i>W</i> | <i>V</i> | <i>°C</i> | <i>rpm</i> | <i>%</i> | <i>%</i> |
| 36.81 | 0.03 | 1.65 | 2.85 | 68.42 | 24.02 | 22.24 | 10660 | 0.17 | 10.43 |
| 30.08 | 4.05 | 5.13 | 2.67 | 64.28 | 24.05 | 22.48 | 10850 | 22.26 | 28.21 |
| 24.97 | 6.63 | 7.38 | 2.54 | 61.18 | 24.09 | 22.66 | 11020 | 31.80 | 35.38 |
| 19.95 | 8.80 | 9.28 | 2.36 | 56.74 | 24.03 | 22.78 | 11190 | 36.36 | 38.33 |
| 15.05 | 10.63 | 10.90 | 2.18 | 52.55 | 24.06 | 23.07 | 11440 | 35.78 | 36.69 |
| 9.98 | 12.13 | 12.25 | 1.92 | 46.20 | 24.04 | 23.30 | 11730 | 30.79 | 31.09 |
| 5.08 | 12.62 | 12.66 | 1.62 | 39.00 | 24.11 | 23.46 | 12130 | 19.33 | 19.38 |
| 0.35 | 12.62 | 12.62 | 1.31 | 31.53 | 24.06 | 22.25 | 12490 | 0.02 | 0.02 |

DESIGN APPLICATION: Low Voltage Brushless DC Blowers offer variable output for a wide range of vacuum or pressure applications. Standard blower designs offer brushless DC motor drives coupled to high efficiency fan systems in compact, cost effective packages. Standard models are available in a wide range of input voltages. AMETEK Brushless DC Blowers are not designed for, and should not be used in, life sustaining applications. AMETEK Brushless DC Blowers are not 100% sealed and therefore should not be used with flammable or hazardous gases.

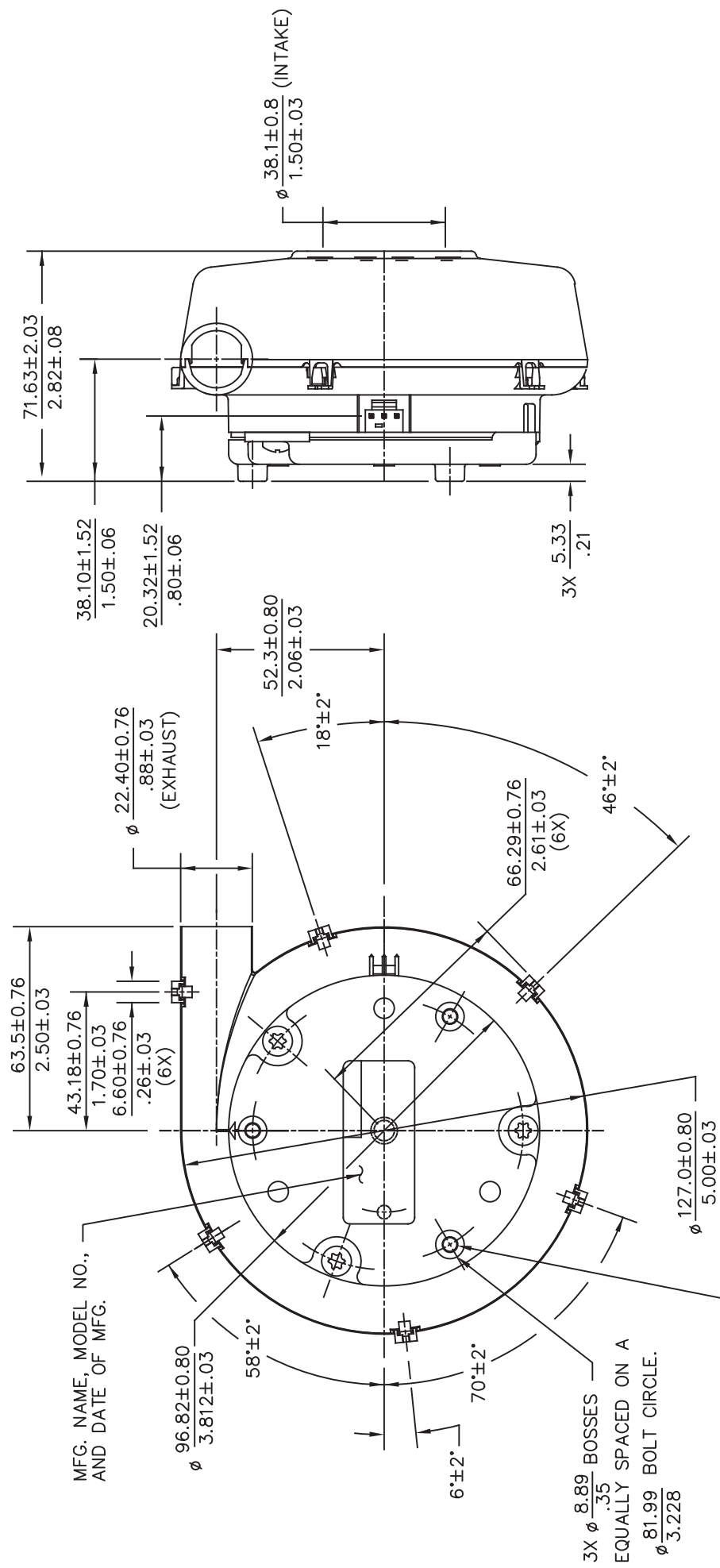
MISCELLANEOUS: Motor cooling inlet and discharge vents must not be obstructed. Motor ventilation air to be free of oils and other foreign particles. Blower is to be mounted so ventilation air cannot be re-circulated.

Mini-Jammer

NOTES: COMPLIANT WITH EUROPEAN UNION DIRECTIVE 2002/95/EC (RoHS).
 (1) 3 MOUNTING HOLES TO ACCOMMODATE A #10-32 OR M5 X 0.8 THREAD CUTTING TAPPING SCREW.
 (2) AMP P/N 640389-3.
 (3) OPERATING PARAMETERS:

INPUT VOLTAGE RANGE: 24 VDC -3V +4V
 PEAK STARTING CURRENT: 10A
 OPERATING TEMPERATURE: 0°C TO 50°C
 STORAGE TEMPERATURE: -40°C TO 85°C
 CONTROLLER PWM FREQUENCY: 25kHz
 0-4 VDC ANALOG SPEED CONTROL

(4) BLOWER SPEED IS PROPORTIONAL TO THE VOLTAGE APPLIED BETWEEN THE SPEED COMMAND AND GROUND PINS. FULL SPEED IS ACHIEVED AT 4V OR LESS DEPENDING ON BLOWER OPERATING POINT. USER MAY CONNECT THE SPEED COMMAND PIN TOGETHER WITH THE 24V POWER SUPPLY PIN TO ENSURE FULL SPEED.



CONNECTOR DETAIL
 (SEE NOTE 2)
 SCALE: 2/1