

NEMA 4, 4X, and 12 Stainless Steel Two-Door Wall-Mount with 3-Point Handle



Applications

SSN4WF Series is intended for use in housing electrical and electronic controls, instruments, components, and associated wiring. These enclosures incorporate double-hinged doors which provide convenient access. Designed for outdoor use in protecting components from dust, dirt, oil, and water.



Construction

- Bodies and doors fabricated from 14-gauge 304 stainless steel
- Continuously-welded seams ground smooth
- Rolled lip around all sides of enclosure opening is provided to exclude liquids and contaminants
- Two independent doors with removable center post
- 3-point 316L SS padlocking handles
- Doors are removable by pulling heavy gauge stainless continuous hinge pin
- Doors are sealed with a poured-in-place polyurethane gasket
- Collar studs provided for mounting optional subpanels
- External mounting feet provided for mounting
- Grounding provisions provided
- Removable print pocket is provided
- Uses WAL3_SS series handles

Finish

- Smooth-grained stainless steel finish

Listings

- UL 508 Listed 12, 4, 4X [UL Files E64791]
- NEMA/EEMAC 12, 4, 4X



Note: For current listings, please see www.automationdirect.com

Shipping Schedule

Same day	1 - 5 days	1 - 7 days	1-10 days	1 - 15 days	1 - 20 days
----------	------------	------------	-----------	-------------	-------------

Color indicates shipping lead time in business days.

NEMA 4, 4X, and 12 Stainless Steel Two-Door Wall-Mount Enclosures with 3-Point Handle

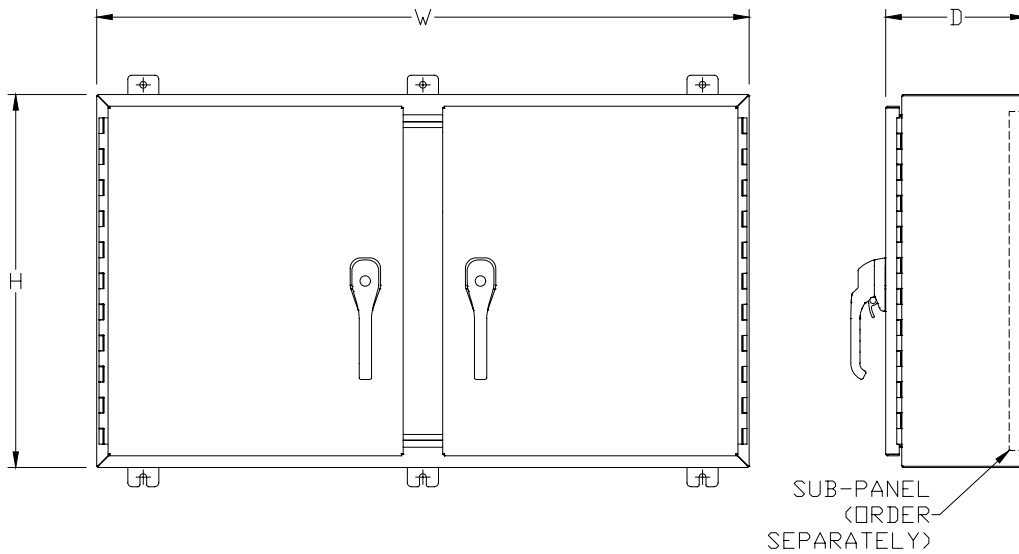
Part Number	Price	Enclosure Size HxWxD	Painted Subpanel	Stainless Steel Subpanel	Galvanized Subpanel	Perforated Subpanel
SSN4244208WF3PT	\$3,144.00	24.00 x 42.00 x 9.04 [610 x 1067 x 230]	NP4224	—	NP4224G	—
SSN4244808WF3PT	\$3,225.00	24.00 x 48.00 x 9.04 [610 x 1219 x 230]	NP4824	—	NP4824G	—
SSN4304210WF3PT	\$3,299.00	30.00 x 42.00 x 11.04 [762 x 1067 x 280]	NP4230	NP4230SS	NP4230G	NP4230PP
SSN4304810WF3PT	\$3,549.00	30.00 x 48.00 x 11.04 [762 x 1219 x 280]	NP4830	—	NP4830G	—
SSN4306010WF3PT	\$4,284.00	30.00 x 60.00 x 11.04 [762 x 1524 x 280]	NP6030	—	NP6030G	—
SSN4364212WF3PT	\$3,820.00	36.00 x 42.00 x 13.04 [914 x 1067 x 331]	NP4236	NP4236SS	NP4236G	NP4236PP
SSN4364812WF3PT	\$4,459.00	36.00 x 48.00 x 13.04 [914 x 1219 x 331]	NP4836	NP4836SS	NP4836G	NP4836PP
SSN4366012WF3PT	\$5,273.00	36.00 x 60.00 x 13.04 [914 x 1524 x 331]	NP6036	NP6036SS	NP6036G	NP6036PP
SSN4424212WF3PT	\$4,764.00	42.00 x 42.00 x 13.04 [1067 x 1067 x 331]	NPDD4242	—	NPDD4242G	—
SSN4424812WF3PT	\$5,146.00	42.00 x 48.00 x 13.04 [1067 x 1219 x 331]	NPDD4842	—	NPDD4842G	—
SSN4426012WF3PT	\$5,325.00	42.00 x 60.00 x 13.04 [1067 x 1524 x 331]	NPDD4260	—	NPDD4260G	—
SSN4484812WF3PT	\$5,310.00	48.00 x 48.00 x 13.04 [1219 x 1219 x 331]	NPDD4848	—	NPDD4848G	—

Note: Dimensions in inches [millimeters].

NEMA 4, 4X, and 12 Stainless Steel Two-Door Wall-Mount with 3-Point Handle



Dimensions



Enclosure Subpanels



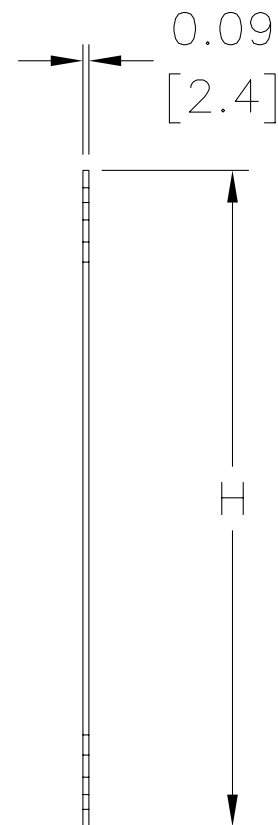
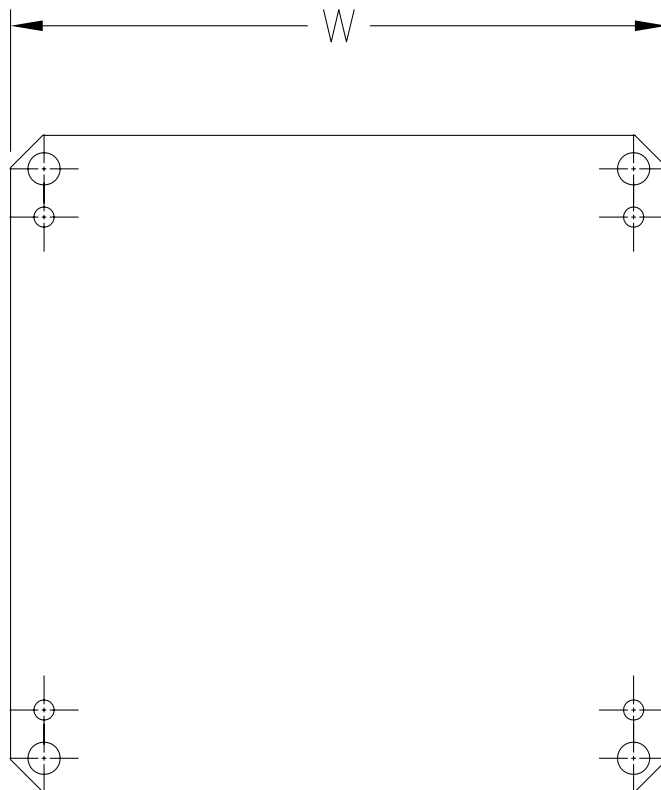
Subpanels for Ultimate Series Wall-Mount Enclosures

- 12-gauge steel
- Subpanels with dimensions 30 x 30 in [762 x 762 mm] and larger are flanged on all sides. Smaller subpanels are flanged on two sides
- Painted steel subpanels are white polyester powder over phosphatized surfaces
- Galvanized subpanels have a conductive finish (no paint)
- Panels listed fit all styles of N412 Ultimate Series wall-mount enclosures, including slope top and disconnect enclosures

Note: NPxxxxC subpanels will not fit in older NEMA 4/12 enclosures (purchased prior to 3-23-05) that do not have a C suffix. For example: Subpanel NP1212C will not fit enclosures N412121206 or N412121206SS.



Dimensions



Enclosure Subpanels



Subpanels for Ultimate Series Wall-Mount Enclosures

Shipping Schedule

Same day 1 - 5 days 1 - 7 days 1 - 15 days 1 - 20 days

Color indicates shipping lead time in business days.

Subpanels for Ultimate Series Wall-Mount Enclosures

Painted Steel	Price	Galvanized	Price	304 Stainless Steel	Price	Nominal Enclosure Size HxW*	Subpanel Size HxW
NP1212C	\$15.50	NP1212CG	\$13.00	—	—	12 x 12	10.20 x 10.20 [259 x 259]
NP1612C	\$16.75	NP1612CG	\$16.75	NP1612SSC	\$87.00	16 x 12	14.20 x 10.20 [361 x 259]
NP1616C	\$40.50	NP1616CG	\$40.50	NP1616SSC	\$106.00	16 x 16	14.20 x 14.20 [361 x 361]
NP2016C	\$48.00	NP2016CG	\$48.00	NP2016SSC	\$128.00	16 x 20 20 x 16	18.20 x 14.20 [462 x 361]
NP2020C	\$58.00	NP2020CG	\$58.00	NP2020SSC	\$165.00	20 x 20	18.20 x 18.20 [462 x 462]
NP2416C	\$56.00	NP2416CG	\$56.00	NP2416SSC	\$159.00	24 x 16	22.20 x 14.20 [564 x 361]
NP2420C	\$56.00	NP2420CG	\$75.00	NP2420SSC	\$200.00	24 x 20	22.20 x 18.20 [564 x 462]
NP2424C	\$86.00	NP2424CG	\$86.00	NP2424SSC	\$233.00	24 x 24	22.20 x 22.20 [564 x 564]
NP3020C	\$90.00	NP3020CG	\$90.00	—	—	30 x 20	28.20 x 18.20 [716 x 462]
NP3024C	\$105.00	NP3024CG	\$90.00	NP3024SSC	\$306.00	30 x 24	28.20 x 22.20 [716 x 564]
NP3030C	\$147.00	NP3030CG	\$147.00	NP3030SSC	\$418.00	30 x 30	28.20 x 28.20 [716 x 716]
NP3624C	\$125.00	NP3624CG	\$125.00	NP3624SSC	\$357.00	24 x 36 36 x 24	34.20 x 22.20 [869 x 564]
NP3630C	\$167.00	NP3630CG	\$167.00	NP3630SSC	\$443.00	36 x 30	34.20 x 28.20 [869 x 716]
NP3636C	\$196.00	NP3636CG	\$196.00	NP3636SSC	\$535.00	36 x 36	34.20 x 34.20 [869 x 869]
NP4224C	\$244.00	—	—	—	—	24 x 42	40.20 x 22.20 [1021 x 564]
NP4024C	\$151.00	NP4024CG	\$151.00	—	—	40 x 24	38.20 x 22.20 [970 x 564]
NP4242C	\$418.00	—	—	—	—	42 x 42	40.20 x 40.20 [1021 x 1021]
NP4230C	\$225.00	—	—	—	—	30 x 42 42 x 32	40.20 x 28.20 [1021 x 716]
NP4236C	\$225.00	NP4236CG	\$225.00	NP4236SSC	\$676.00	36 x 42 42 x 36	40.20 x 34.20 [1021 x 869]
NP4824C	\$163.00	NP4824CG	\$163.00	—	—	24 x 48 48 x 24	46.20 x 22.20 [1173 x 564]
NP4830C	\$336.00	—	—	—	—	30 x 48	46.20 x 28.20 [1173 x 716]
NP4842C	\$562.00	—	—	—	—	42 x 48	46.20 x 40.20 [1173 x 1021]
NP4836C	\$254.00	NP4836CG	\$254.00	NP4836SSC	\$676.00	36 x 48 48 x 36	46.20 x 34.20 [1173 x 869]
NP4848C	\$625.00	—	—	—	—	48 x 48	46.20 x 46.20 [1173 x 1173]
NP6030C	\$446.00	—	—	—	—	30 x 60	58.20 x 28.20 [1478 x 716]
NP6036C	\$313.00	NP6036CG	\$313.00	NP6036SSC	\$965.00	36 x 30 60 x 36	58.20 x 34.20 [1478 x 869]
NP6042C	\$627.00	—	—	—	—	42 x 60	58.20 x 40.20 [1478 x 1021]

Notes: Dimensions in inches [millimeters].

Letters in table correspond to letters on dimensional drawing.

Disconnect enclosures will be up to 2 in [51 mm] wider than width dimensions in this table.