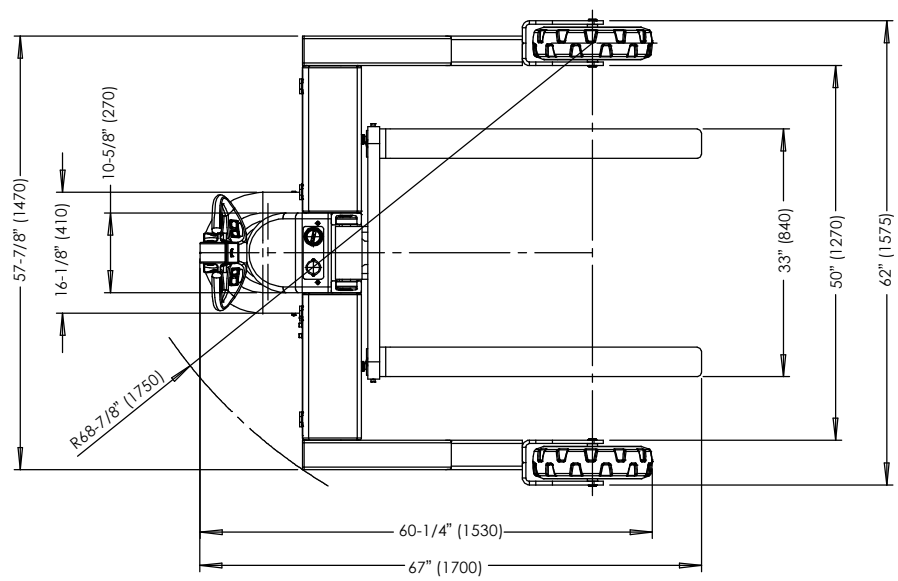
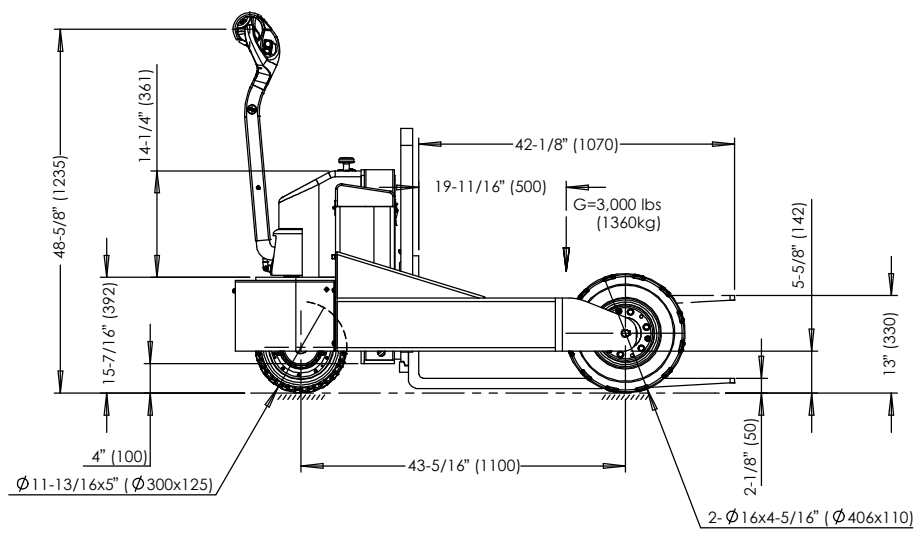


ELECTRIC POWERED ROUGH TERRAIN PALLET TRUCK - RT-EPT-3-48

ANY ADDITIONS, DELETIONS, OR OMISSIONS MUST BE CORRECTED ON THIS DRAWING AS THIS DRAWING WILL BE CONSIDERED ALL INCLUSIVE



ALL GRAPHICS PROVIDED ARE FOR REFERENCE ONLY. IF CERTAIN DIMENSIONS ARE CRITICAL PLEASE VERIFY THOSE DIMENSIONS WITH YOUR SALESPERSON

DIMENSION TOLERANCE $\pm 1/2''$

SPECIFICATIONS

- MODEL NUMBER: RT-EPT-3-48
- CAPACITY: 3,000 LBS
- OVERALL WIDTH: 62"
- OVERALL LENGTH: 67"
- OVERALL HEIGHT: 48 5/8"
- FORK LENGTH: 42 1/8"
- FORK WIDTH: 4"
- LIFT HEIGHT: 13"
- LOWERED HEIGHT: 2 1/8"
- DRIVE MOTOR AC15/1.5KW
- LIFT MOTOR: 24V/0.8KW
- BATTERY: 2x12V/85-95Ah
- CHARGER: 24V/12amp
- TRAVEL SPEED W/O LOAD: 2.3m/h
- TRAVEL SPEED W/ LOAD: 1.8m/h
- DURABLE BAKED IN POWDER COAT
BLACK & YELLOW FINISH

A P P R O V A L	I, THE UNDERSIGNED, AGREE THAT THE PRODUCT AS REPRESENTED SATISFIES DESIGN AND DIMENSION REQUIREMENTS. I ALSO ACKNOWLEDGE MY DUTY TO CONFIRM PRODUCT AND INSTALLATION COMPLIANCE WITH ALL APPLICABLE FEDERAL, STATE AND LOCAL REGULATIONS AND STANDARDS.	
	UNITS REQUIRING APPROVAL DRAWINGS OR MODIFIED ARE NON-RETURNABLE	
	[] As drawn	[] As marked
Signed: _____		Date: _____
Printed Name: _____		
LEAD TIME WILL START UPON RECEIPT OF SIGNED APPROVAL DRAWING		

DISTRIBUTOR'S NAME:		P.O.#
VESTIL MANUFACTURING		X
DRAWN BY: TM		W.O.#
DATE: 10/8/2020		X
REFERENCE: X	SCALE: 1:2	SALES: X
QUOTED LEAD TIME: X	QUOTE #	FILE NAME:
	X	RT-EPT-3-48