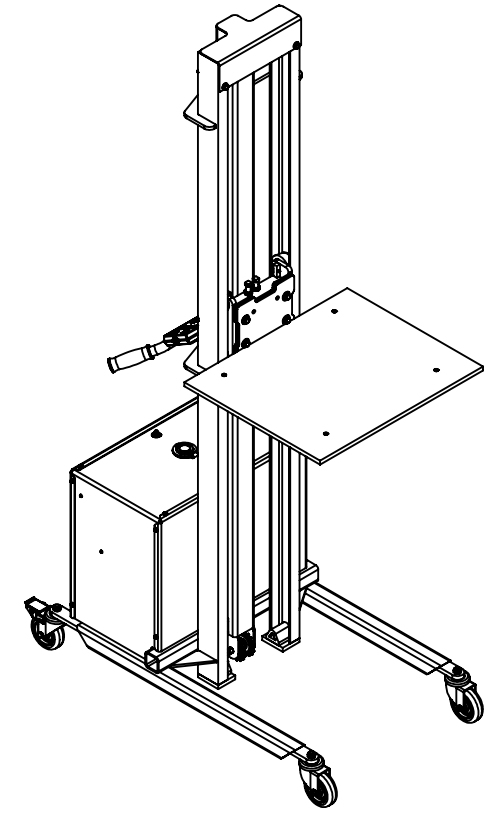
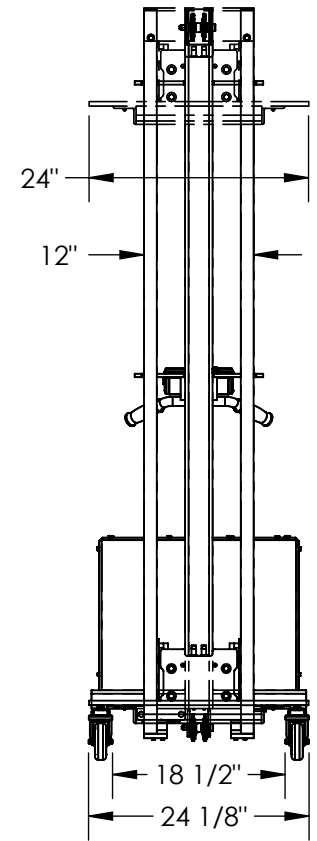
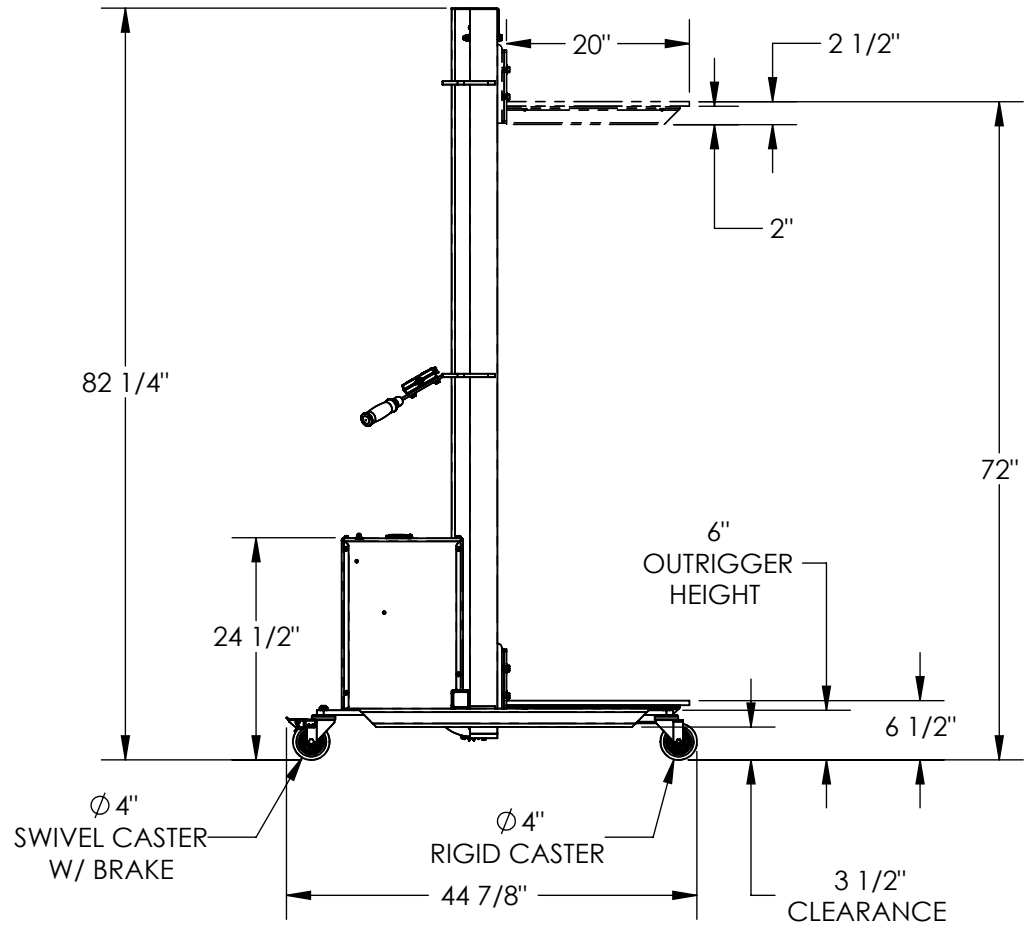


POWERED QUICK LIFT - PEL-400S-72-D3

APPROX WEIGHT: 373.70 lbs.
DOES NOT INCLUDE WEIGHT OF POWER OR PACKAGING!!!

*** ANY ADDITIONS, DELETIONS, OR OMISSIONS MUST BE CORRECTED ON THIS DRAWING AS THIS DRAWING WILL BE CONSIDERED ALL INCLUSIVE ***

ALL GRAPHICS PROVIDED ARE FOR REFERENCE ONLY. IF CERTAIN DIMENSIONS ARE CRITICAL PLEASE VERIFY THOSE DIMENSIONS WITH YOUR SALESPERSON



DIMENSION TOLERANCE ± 1/4"

STANDARD FEATURES

- MODEL NUMBER: PEL-400S-72-D3
- STEEL CONSTRUCTION
- CAPACITY: 400 LBS
- PLATFORM WIDTH: 24"
- PLATFORM LENGTH: 20"
- OVERALL HEIGHT: 82 1/4"
- OVERALL LENGTH: 44 7/8"
- LOWERED PLATFORM HEIGHT: 6 1/2"
- RAISED PLATFORM HEIGHT: 72"
- 24V DC POWER
- Ø 4" POLY ON POLY STEM CASTERS
- 2 SWIVEL W/ BRAKES & 2 RIGID
- TOUGH BAKED IN POWDER COATED BLUE FINISH

SPECIAL FEATURES

NONE

APPROVAL

I, THE UNDERSIGNED, AGREE THAT THE PRODUCT AS REPRESENTED SATISFIES DESIGN AND DIMENSION REQUIREMENTS. I ALSO ACKNOWLEDGE MY DUTY TO CONFIRM PRODUCT AND INSTALLATION COMPLIANCE WITH ALL APPLICABLE FEDERAL, STATE AND LOCAL REGULATIONS AND STANDARDS.
UNITS REQUIRING APPROVAL DRAWINGS OR MODIFIED ARE NON-RETURNABLE
[] As drawn [] As marked

Signed: _____ Date: _____

Printed Name: _____

LEAD TIME WILL START UPON RECEIPT OF SIGNED APPROVAL DRAWING

DISTRIBUTOR'S NAME:		P.O.#
VESTIL MANUFACTURING		X
DRAWN BY: QAW		DATE: 2/7/2011
REFERENCE: X		SCALE: 1:21
QUOTED LEAD TIME: X		QUOTE # X
		SALES: X
		FILE NAME: 21-007-060