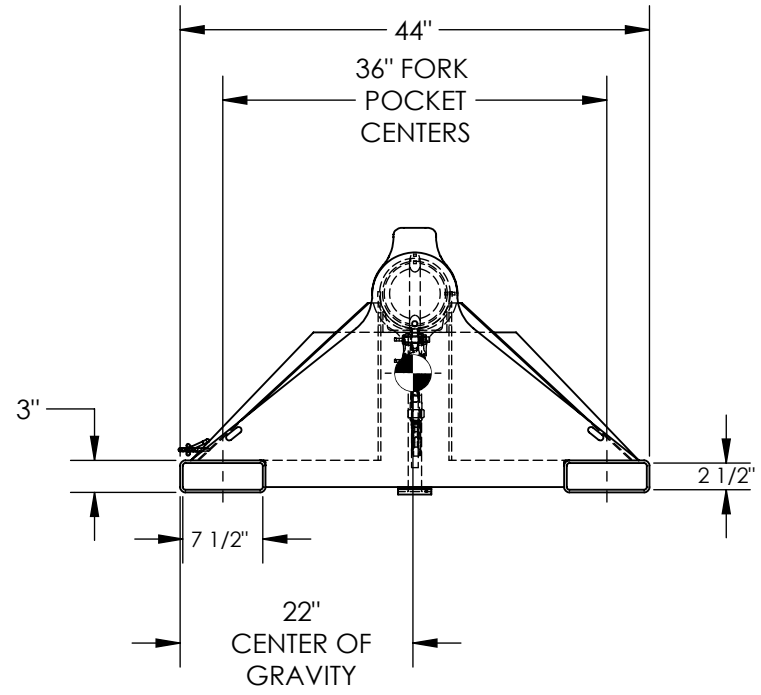
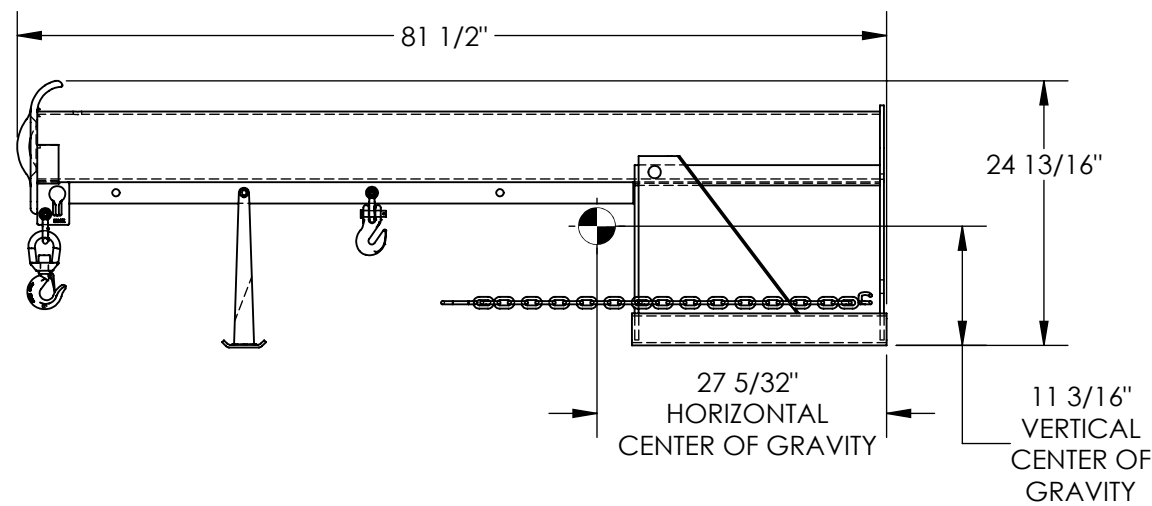


LIFT MASTER BOOM, LIFT MASTER ONE, NON-TELESCOPING BOOM - LM-1NT-4-36

APPROX WEIGHT: 374.90 lbs.
DOES NOT INCLUDE WEIGHT OF POWER OR PACKAGING!!!

*** ANY ADDITIONS, DELETIONS, OR OMISSIONS MUST BE CORRECTED ON THIS DRAWING AS THIS DRAWING WILL BE CONSIDERED ALL INCLUSIVE ***
ALL GRAPHICS PROVIDED ARE FOR REFERENCE ONLY. IF CERTAIN DIMENSIONS ARE CRITICAL PLEASE VERIFY THOSE DIMENSIONS WITH YOUR SALESPERSON



*--MAXIMUM SINGLE HOOK CAPACITIES

DISTANCE	36"	48"	60"	72"	78"
CAPACITY	4000	3750	3500	3250	3000

STANDARD FEATURES

- MODEL NUMBER IS LM-1NT-4-36
- CAPACITY IS 4,000 LBS
- OVERALL HEIGHT - 24 13/16"
- OVERALL LENGTH - 81 1/2"
- OVERALL WIDTH IS 44"
- 36" MINIMUM HOOK POINT
- 78" MAXIMUM HOOK POINT
- USABLE FORK POCKET - 2 1/2"x7 1/2"
- 36" FORK POCKET CENTERS
- TOUGH BAKED IN POWDER COATED BLUE FINISH

- APPROX. WEIGHT / LOST LOAD = 374.90
- MINIMUM EFFECTIVE THICKNESS = LESS THAN 1"
- NEVER EXCEED LOAD CENTER
- RATING PER FORKTRUCK
- MANUFACTURERS GUIDELINES.
- DO NOT USE THIS FORK TRUCK
- ATTACHMENT IF LOAD WILL EXCEED
- FORK TRUCK MANUFACTURER'S
- LOAD CENTER RATING

SPECIAL FEATURES

NONE

DIMENSION TOLERANCE ± 1/4"

APPROVAL	I, THE UNDERSIGNED, AGREE THAT THE PRODUCT AS REPRESENTED SATISFIES DESIGN AND DIMENSION REQUIREMENTS. I ALSO ACKNOWLEDGE MY DUTY TO CONFIRM PRODUCT AND INSTALLATION COMPLIANCE WITH ALL APPLICABLE FEDERAL, STATE AND LOCAL REGULATIONS AND STANDARDS.	
	UNITS REQUIRING APPROVAL DRAWINGS OR MODIFIED ARE NON-RETURNABLE	
	[] As drawn [] As marked	
	Signed: _____	Date: _____
Printed Name: _____		
LEAD TIME WILL START UPON RECEIPT OF SIGNED APPROVAL DRAWING		

DISTRIBUTOR'S NAME:		P.O.#
VESTIL MANUFACTURING		X
DRAWN BY: BCN		W.O.#
DATE: 6/1/2016		X
REFERENCE: X	SCALE: 1:18	SALES: X
QUOTED LEAD TIME: X	QUOTE # X	FILE NAME:
		08-007-321