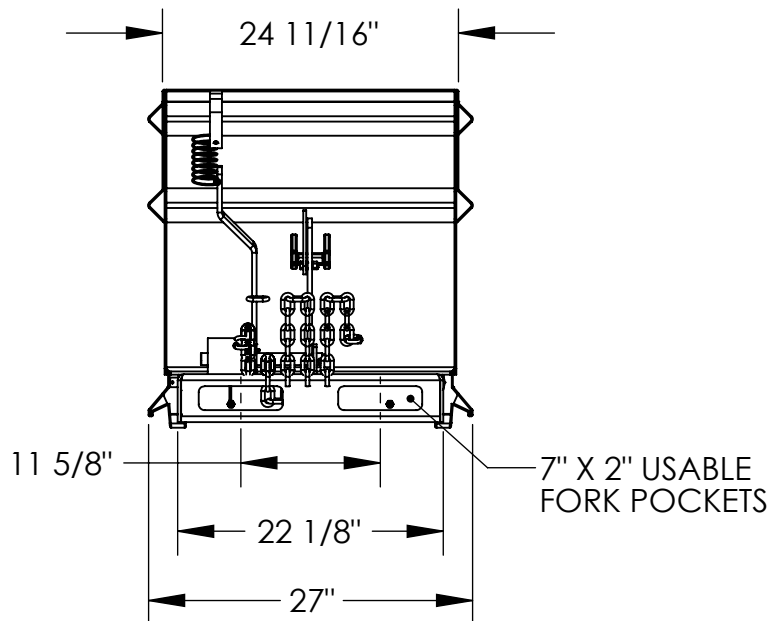


GALVANIZED LOW PROFILE 90° SELF DUMPING HOPPER - H-50-HD-GAL

APPROX WEIGHT: 311.24 lbs.
DOES NOT INCLUDE WEIGHT OF POWER OR PACKAGING!!!

*** ANY ADDITIONS, DELETIONS, OR OMISSIONS MUST BE CORRECTED ON THIS DRAWING AS THIS DRAWING WILL BE CONSIDERED ALL INCLUSIVE ***
ALL GRAPHICS PROVIDED ARE FOR REFERENCE ONLY. IF CERTAIN DIMENSIONS ARE CRITICAL PLEASE VERIFY THOSE DIMENSIONS WITH YOUR SALESPERSON

****WARNING**** THIS PRODUCT CAN EXPOSE YOU TO LEAD, WHICH IS KNOWN TO THE STATE OF CALIFORNIA TO CAUSE CANCER AND BIRTH DEFECTS OR OTHER REPRODUCTIVE HARM. FOR MORE INFORMATION GO TO www.p65warnings.ca.gov



NEVER EXCEED LOAD CENTER RATING PER FORK TRUCK MANUFACTURER'S GUIDELINES. DO NOT USE THIS FORK TRUCK ATTACHMENT IF LOAD WILL EXCEED FORK TRUCK MANUFACTURER'S LOAD CENTER RATING.

APPROX. WEIGHT/ LOST LOAD=311.24 LBS.
EFFECTIVE THICKNESS= FORK LENGTH MINUS 21 3/4"

**** ADDITION OF CASTERS MAY CHANGE WEIGHT CAPACITY BASED ON CASTER RATING**

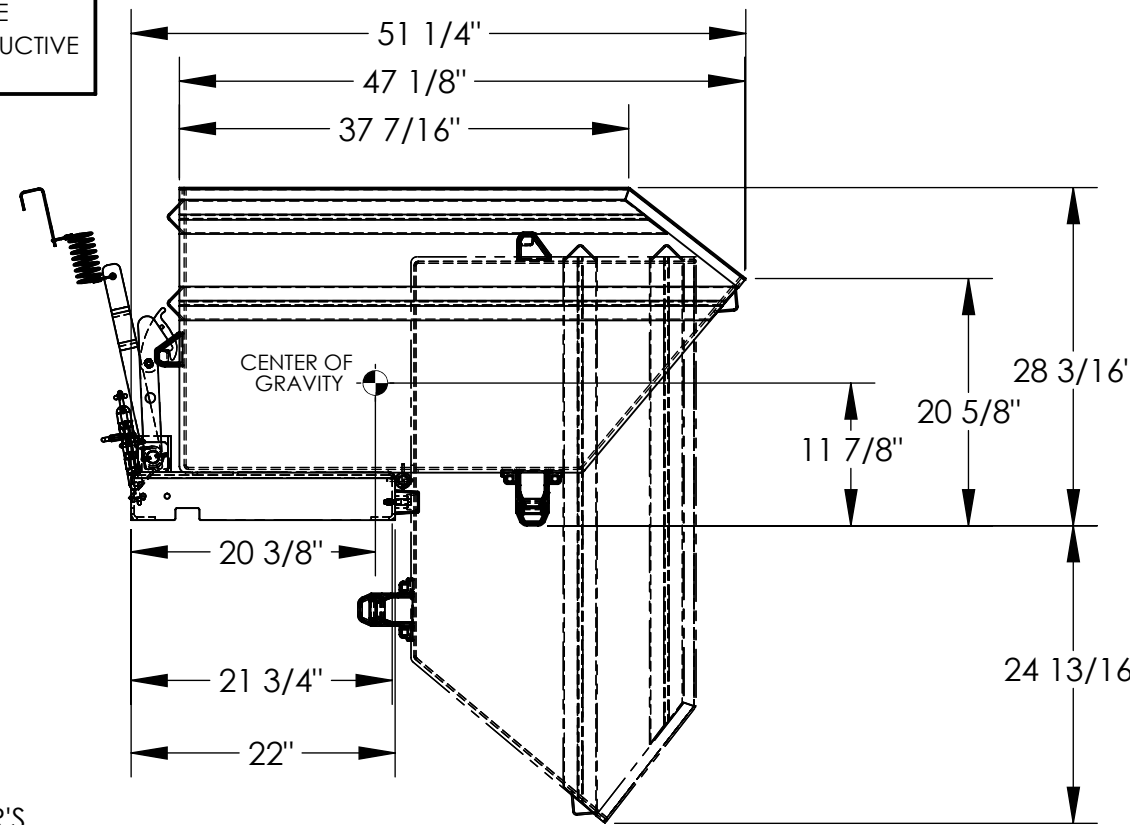
STANDARD FEATURES

- MODEL NUMBER: H-50-HD-GAL
- OVERALL WIDTH: 27"
- OVERALL LENGTH: 51 1/4"
- OVERALL HEIGHT: 28 3/16"
- CAPACITY: 6,000 LBS.
- VOLUME: 1/2 CU. YRD.
- FINISH: HOT DIP GALVANIZED

SPECIAL FEATURES

NONE

FOR INTERNAL USE ONLY PROJECT SIGN OFF	
SALES	
ENG.	
FAB.	
POWER	



DIMENSION TOLERANCE ± 1/4"

I, THE UNDERSIGNED, AGREE THAT THE PRODUCT AS REPRESENTED SATISFIES DESIGN AND DIMENSION REQUIREMENTS. I ALSO ACKNOWLEDGE MY DUTY TO CONFIRM PRODUCT AND INSTALLATION COMPLIANCE WITH ALL APPLICABLE FEDERAL, STATE AND LOCAL REGULATIONS AND STANDARDS.
ANY MODIFIED UNITS ARE NON-RETURNABLE
[] As drawn [] As marked
Signed: _____ Date: _____
Printed Name: _____
LEAD TIME WILL START UPON RECEIPT OF SIGNED APPROVAL DRAWING

DISTRIBUTOR'S NAME:		P.O.#
VESTIL MANUFACTURING		X
DRAWN BY: SJG	DATE: 2/12/2018	W.O.#
REFERENCE: X	SCALE: 1:16	X
QUOTED LEAD TIME: X	QUOTE #	FILE NAME:
	X	37-007-138