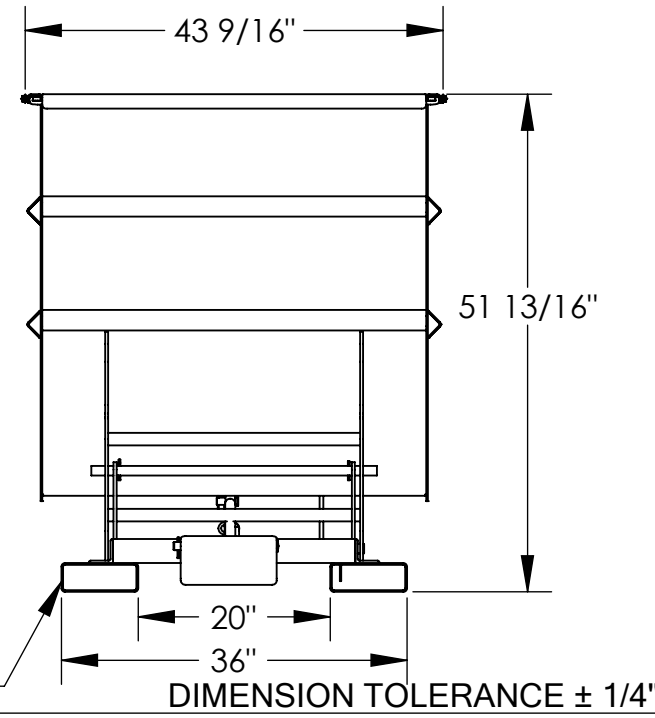
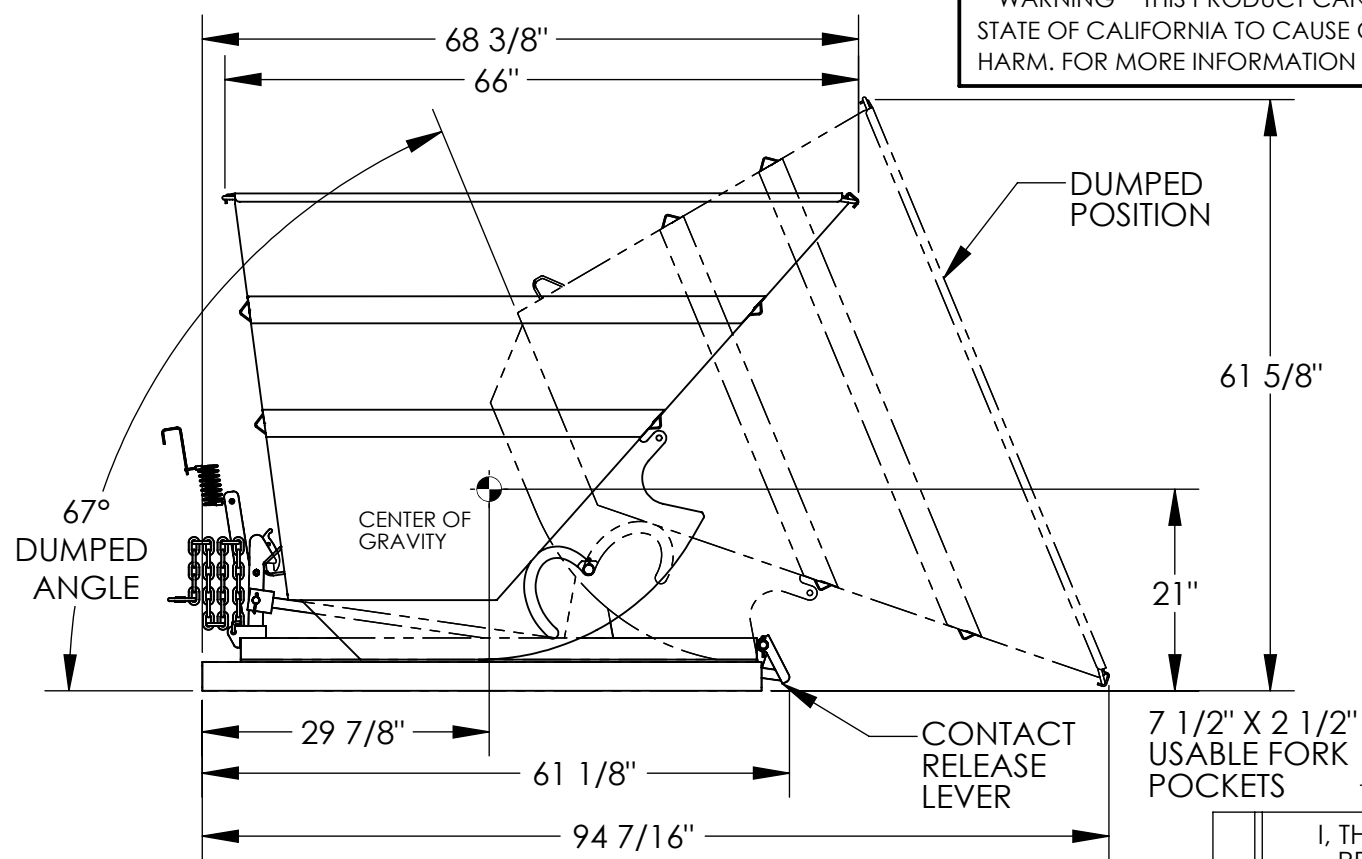


**GALVANIZED SELF-DUMPING STEEL HOPPER W/ BUMPER RELEASE - D-150-HD-GAL** APPROX WEIGHT: 761.15 lbs.

DOES NOT INCLUDE WEIGHT OF POWER OR PACKAGING!!!

\*\*\* ANY ADDITIONS, DELETIONS, OR OMISSIONS MUST BE CORRECTED ON THIS DRAWING AS THIS DRAWING WILL BE CONSIDERED ALL INCLUSIVE \*\*\*  
 ALL GRAPHICS PROVIDED ARE FOR REFERENCE ONLY. IF CERTAIN DIMENSIONS ARE CRITICAL PLEASE VERIFY THOSE DIMENSIONS WITH YOUR SALESPERSON

**\*\*WARNING\*\* THIS PRODUCT CAN EXPOSE YOU TO LEAD, WHICH IS KNOWN TO THE STATE OF CALIFORNIA TO CAUSE CANCER AND BIRTH DEFECTS OR OTHER REPRODUCTIVE HARM. FOR MORE INFORMATION GO TO [www.p65warnings.ca.gov](http://www.p65warnings.ca.gov)**



**STANDARD FEATURES**

MODEL NUMBER: D-150-HD-GAL  
 VOLUME: 1 1/2 CU. YDS.  
 CAPACITY: 6,000 LBS.  
 OVERALL WIDTH: 43 9/16"  
 OVERALL LENGTH: 68 3/8"  
 OVERALL HEIGHT: 51 13/16"  
 PULL CABLE IS AT LEAST: 48"  
 FINISH: HOT DIP GALVANIZED

NEVER EXCEED LOAD CENTER RATING PER FORK TRUCK MANUFACTURER'S GUIDELINES.  
 DO NOT USE THIS FORK TRUCK ATTACHMENT IF LOAD WILL EXCEED FORK TRUCK MANUFACTURER'S LOAD CENTER RATING.  
 APPROX. WEIGHT/ LOST LOAD=761.15 LBS.  
 MINIMUM EFFECTIVE THICKNESS= LESS THAN 1"

**SPECIAL FEATURES**

NONE

\*\*\*ADDITION OF CASTERS MAY CHANGE WEIGHT CAPACITY BASED ON CASTER RATING\*\*\*

**APPROVAL**

I, THE UNDERSIGNED, AGREE THAT THE PRODUCT AS REPRESENTED SATISFIES DESIGN AND DIMENSION REQUIREMENTS. I ALSO ACKNOWLEDGE MY DUTY TO CONFIRM PRODUCT AND INSTALLATION COMPLIANCE WITH ALL APPLICABLE FEDERAL, STATE AND LOCAL REGULATIONS AND STANDARDS.  
**UNITS REQUIRING APPROVAL DRAWINGS OR MODIFIED ARE NON-RETURNABLE**  
 As drawn     As marked

Signed: \_\_\_\_\_ Date: \_\_\_\_\_

Printed Name: \_\_\_\_\_

LEAD TIME WILL START UPON RECEIPT OF SIGNED APPROVAL DRAWING

DISTRIBUTOR'S NAME:		P.O.#
VESTIL MANUFACTURING		X
DRAWN BY: SJG		W.O.#
DATE: 2/9/2018		X
REFERENCE: X	SCALE: 1:20	SALES: X
QUOTED LEAD TIME: X	QUOTE # X	FILE NAME:
		37-007-125-001