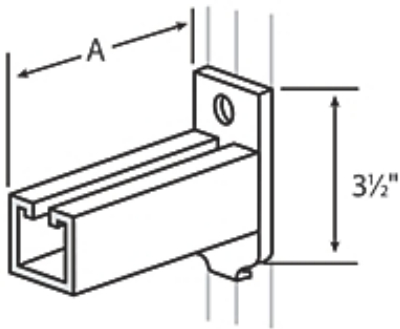




**Catalog Number:** S256-6HDGC  
**Product ID:** 7TBA005770R0074  
**UPC Number:** 78621008731  
**Status:** A



Actual



Line Art

Bracket, Cantilever Half-Slot Channel, Length 6 Inches, Height 3-1/2 Inches, Design Load 1,000 Pounds, Hot-Dip Galvanized Steel

#### North American Specifications (UNSPSC)

UNSPSC	31162504 Electrical fixture brackets
IGCC	3012 Electrical fixture brackets
Material	Steel
Length	6 in
Height	3-1/2 in
Finish	Hot-Dip Galvanized
Number Of Holes	1

#### European Specifications (ETIM)

ETIM	EC000022 Bracket for cable support system
Model	Wall bracket
Angle	90-90°
Material	Steel
Surface protection	Hot-dip galvanized

#### Packaging

Outer Quantity	1
Outer Dimensions (inches)	1x1x1
Weight Uom	1.4 lbs. Each

#### Documents / Support Tools

Catalog Page	Available on Website
--------------	----------------------