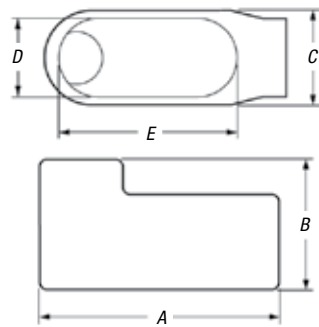


Conduit Bodies and Covers



BlueKote internal finish reduces the amount of force necessary to pull wires through T&B Form 7 and Form 8 conduit bodies.

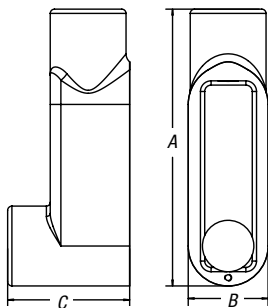


LB Form 7 and Form 8

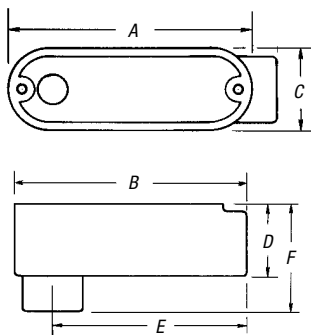
LB Series 35 Conduit Bodies



CAT. NO.	HUB SIZE	DIMENSIONS (IN.)				CU. IN.
		A	B	C		
LB50M	½"	4.68	1.34	2.05	4.5	
LB75M-TB	¾"	5.37	1.50	2.25	7.5	
LB100M	1"	6.20	1.80	2.65	12.5	
LB125M	1¼"	8.12	2.60	2.75	32	
LB150M	1½"	8.12	2.60	2.83	35.3	
LB200M	2"	10.50	3.12	4.42	73	
LB250M	2½"	13.60	4.31	5.40	142	
LB300M	3"	13.87	4.31	5.90	173	
LB350M	3½"	16.25	5.62	6.90	292	
LB400M	4"	16.60	5.62	7.21	324	



LB Series 35



LB Threaded Aluminum and EMT Aluminum

LB Form 7 BlueKote® Conduit Bodies



CAT. NO.	HUB SIZE	DIMENSIONS (IN.)					CU. IN.
		A	B	C	D	E	
LB17	½"	4.60	2.20	1.35	.95	3.20	4.0
LB27	¾"	5.25	2.40	1.65	1.15	3.80	6.6
LB37	1"	6.00	2.65	1.80	1.35	4.55	10.6
LB47	1¼"	6.45	3.20	2.20	1.80	5.00	18.8
LB57	1½"	7.25	3.90	2.45	2.05	5.45	26.4
LB67	2"	8.30	4.45	3.10	2.45	6.40	51.0
LB77	2½"	10.55	5.20	4.25	3.60	8.40	102.0
LB87	3"	10.55	5.95	4.25	3.60	8.40	132.0
LB97	3½"	12.85	6.70	5.25	4.55	10.25	210.0
LB107	4"	12.85	7.20	5.25	4.55	10.25	243.0

LB Form 8 BlueKote® Conduit Bodies



CAT. NO.	HUB SIZE	DIMENSIONS (IN.)					CU. IN.
		A	B	C	D	E	
LB18	½"	4.94	2.22	1.38	1.00	3.31	4.9
LB28	¾"	5.56	2.44	1.56	1.19	3.31	8.0
LB38	1"	6.50	2.81	1.75	1.38	4.56	13.0
LB448	1¼"	7.53	3.34	2.19	1.75	5.31	23.5
LB58	1½"	9.13	4.03	2.75	2.13	6.50	45.0
LB68	2"	11.00	4.41	3.75	3.00	8.56	88.0
LB78	2½"	13.94	6.13	5.00	4.25	10.88	110.0
LB888	3"	13.94	6.50	5.00	4.25	10.88	110.0
LB98	3½"	16.88	7.56	6.25	5.44	13.44	250.0
LB108	4"	16.88	7.81	6.25	5.44	13.44	250.0

LB Threaded Aluminum Conduit Bodies



CAT. NO.	HUB SIZE	DIMENSIONS (IN.)						CU. IN.
		A	B	C	D	E	F	
ALB1	½"	3.88	4.28	1.31	1.44	3.50	2.06	4.3
ALB2	¾"	4.63	5.13	1.53	1.63	4.25	2.44	7.3
ALB3	1"	5.38	515/16	1.75	1.88	4.94	2.75	11.8
ALB4	1¼"	7.25	7.88	2.50	2.50	6.50	3.56	32.0
ALB5	1½"	7.25	7.88	2.50	2.75	6.31	3.81	32.0
ALB6	2"	9.50	9.81	3.13	3.44	8.00	4.50	69.5
ALB7	2½"	12.25	13.00	4.50	3.88	10.84	5.25	190.0
ALB8	3"	12.25	13.00	4.50	4.50	10.50	5.88	190.0
ALB9	3½"	15.00	16.31	5.50	5.56	13.50	6.94	366.0
ALB10	4"	15.00	16.31	5.50	5.56	13.50	6.94	366.0

LB EMT Aluminum Conduit Bodies



CAT. NO.	HUB SIZE	DIMENSIONS (IN.)						CU. IN.
		A	B	C	D	E	F	
BLB1	½"	3.88	4.28	1.31	1.44	3.50	2.06	4.3
BLB2	¾"	4.63	5.13	1.53	1.63	4.25	2.44	7.3
BLB3	1"	5.38	5.94	1.75	1.88	4.94	2.75	11.8
BLB4	1¼"	7.25	7.88	2.50	2.50	6.50	3.56	32.0
BLB5	1½"	7.25	7.88	2.50	2.75	6.31	3.81	32.0
BLB6	2"	9.50	9.81	3.13	3.44	8.00	4.50	69.5
BLB7	2½"	12.25	13.00	4.50	3.88	10.84	5.25	190.0
BLB8	3"	12.25	13.00	4.50	4.50	10.50	5.88	190.0
BLB9	3½"	15.00	16.31	5.50	5.56	13.50	6.94	366.0
BLB10	4"	15.00	16.31	5.50	5.56	13.50	6.94	366.0