



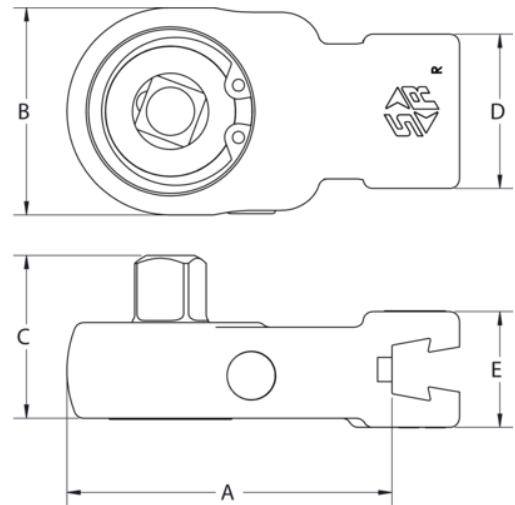
853619

Hold & Drive Square Drive Ratchet
Interchangeable Heads for Torque
Wrenches, inches



PRODUCT DETAILS

- One piece, cast, proprietary steel 1 7/16" Common Centerline / 36.5 mm Common Centerline selection



PRODUCT ATTRIBUTES

Product	MODEL			A	B	C	D	E
853619	SDRT 1/4 with 1/8 hole	250 lbf·in	1/4 in	1.875 in	1.375 in	.9375 in	.75 in	.625 in