



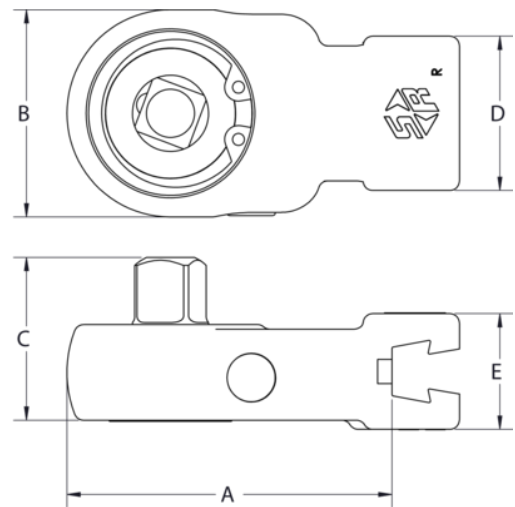
853590

Hold & Drive Square Drive Ratchet  
Interchangeable Heads for Torque  
Wrenches, inches





PRODUCT DETAILS

- One piece, cast, proprietary steel 1 7/16" Common Centerline / 36.5 mm Common Centerline selection



PRODUCT ATTRIBUTES

Product	MODEL			<b>A</b>	<b>B</b>	<b>C</b>	<b>D</b>	<b>E</b>
853590	SDRT 1/4 with 9/64 hole	250 lbf·in	1/4 in	1.875 in	1.375 in	.9375 in	.75 in	.625 in