

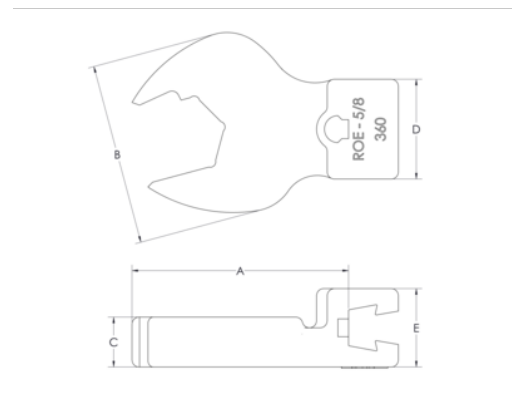


819358
ROE 3/4 Head - V Series



PRODUCT DETAILS

- 1 7/16" Common Centerline / 36.5 mm Common Centerline
- Slight disengagement from the fastener allows operator to rapidly rotate wrench



PRODUCT ATTRIBUTES

Product	MODEL	Ø	A	B	C	D	E	
819358	ROE 3/4 Head - V Series	3/4 in	2.0 in	1.8438 in	.5 in	1.0	.8125	600 lbf-in