

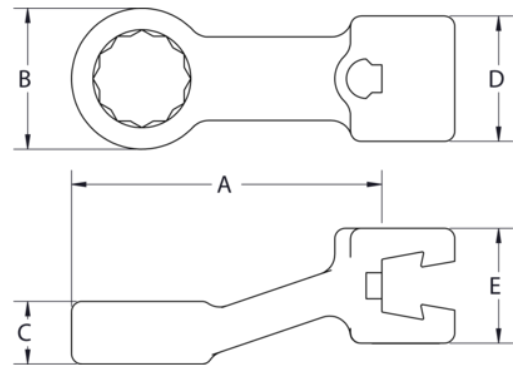


819062



Box Head Interchangeable Head For Torque Wrench, 3/8"

PRODUCT DETAILS

- 1 7/16" Common Centerline / 36.5 mm Common Centerline



PRODUCT ATTRIBUTES

Product	MODEL			A	B	C	D	E
819062	BH 3/8	450 lbf·in	3/8 in	1.8 in	0.6 in	0.3 in	0.8 in	0.8 in