



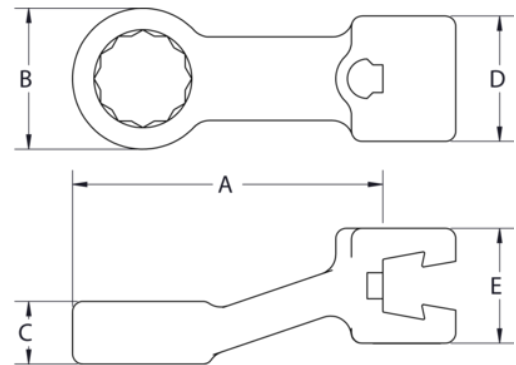
809309

Box Head Interchangeable Head For Torque Wrench, 20 mm





### PRODUCT DETAILS

- One piece, cast, proprietary steel selection



### PRODUCT ATTRIBUTES

Product	MODEL			<b>A</b>	<b>B</b>	<b>C</b>	<b>D</b>	<b>E</b>
809309	BH 20MM	225 N·m	20 mm	53.34 mm	33.02 mm	15.24 mm	25.4 mm	22.86 mm