

# Spears® Technical Information

27-Aug-21 03:52:29 AM

**Part No:** PD-400-025C-10

**Pipe**

**Schedule 40 PIPE PVC & CPVC**

**Desc:** 2-1/2 CPVC SCH40 PIPE 10 FT.

**MSRP:** 20.19

**Part Code:** 745

**Weight(lbs):** 1.202

**Weight(kg):** 0.545

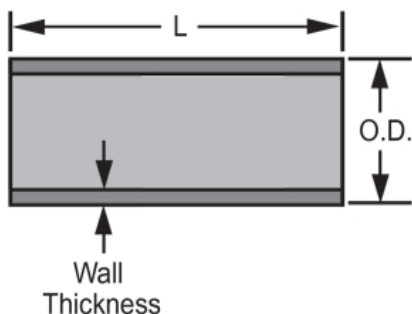
**Weight(gm):** 545

**Size:** 2-1/2"

**Color:** GRAY

**Material:** CPVC

**Connection** 10 Foot Length

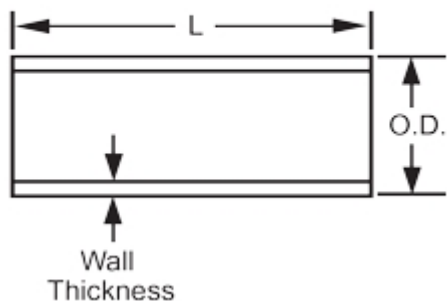


L = 10

AVG.O.  
D. = 2.875

Minimu  
m Wall = .203

## Typical Pipe Dimension Reference



The information printed here is based on current information & product design at the time of publication and is subject to change without notification. Spears® ongoing commitment to product improvement may result in some variation. No representation, guarantees or warranties of any kind are as to its accuracy, suitability for particular application or results to be obtained therefrom. For verification of technical data or additional information, please contact Spears® Technical Service Department :: WEST COAST : (818) 364-1611 - EAST COAST : (717) 938-9006