

Part No: HT3S-419

Schedule 80 PVC & CPVC

Hot-Tap Saddle

Desc: 4X1-1/2 PVC HOT TAP SADDLE FKM S/S BOLT

MSRP: 361.37

Part Code: 049

Weight(lbs): 3.351

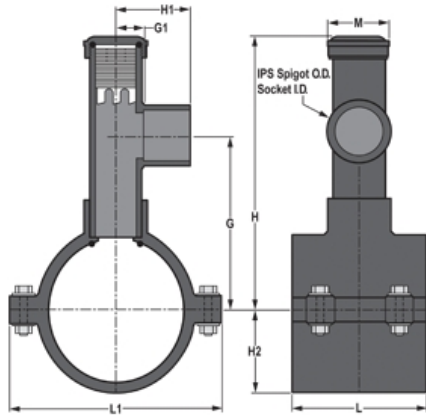
Weight(kg): 1.52

Weight(gm): 1520

Size: 4"X1-1/2"SOC(2"SPG)

Color: GRAY

Material: PVC



L = 4-1/8

G = 5-1/4

G1 = 1-1/4

H = 9-5/8

H1 = 2-11/16

H2 = 2-5/8

M = 2-7/8

L1 = 5-13/16

Connection Saddle x Socket (Spigot)

Hardware SS316

O-Ring FKM

NOTE Not intended To Convey Or Dispense Water For Human Consumption Through Drinking Or Cooking

Cutter Brass

Type Hot-Tap

Injection Molded Dimension References:

G = (LAYING LENGTH) intersection of center lines to bottom of socket/thread; 90° elbows, tees, crosses; ± 1/32 inch.

H = Intersection of center lines to face of fitting; 90° elbows tees, crosses; ± 1/32 inch.

J = Intersection of center lines to bottom of socket/thread; 45° elbows; ± 1/32 inch

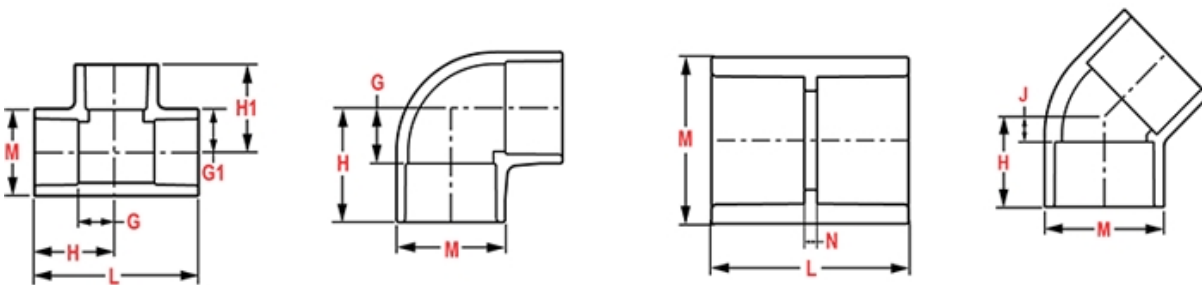
L = Overall length of fittings; ± 1/16 inch.

M = Outside diameter of socket/thread hub; ± 1/16 inch.

N = Socket bottom to socket bottom; couplings; ± 1/16 inch.

W = Height of cap; ± 1/16 inch

Typical Molded Dimension References



The information printed here is based on current information & product design at the time of publication and is subject to change without notification. Spears® ongoing commitment to product improvement may result in some variation. No representation, guarantees or warranties of any kind are as to its accuracy, suitability for particular application or results to be obtained therefrom. For verification of technical data or additional information, please contact Spears® Technical Service Department :: WEST COAST : (818) 364-1611 - EAST COAST : (717) 938-9006