

Part No: 869-579SR

Schedule 80 PVC & CPVC

Clamp-On Saddle

Desc: 8X2-1/2 PVC CLAMP SADDLE D/O SRFPT EPDM

MSRP: 468.32

Part Code: 086

Weight(lbs): 11.541

Weight(kg): 5.235

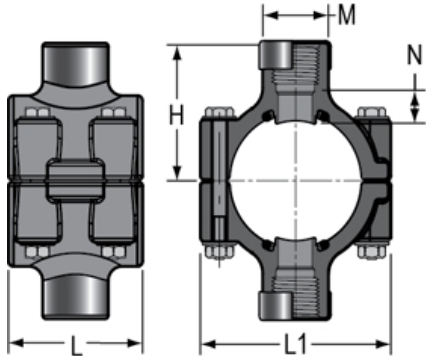
Weight(gm): 5235

Size: 8"X2-1/2"

Color: GRAY

Material: PVC

Connection Double SR Fipt
Type Clamp Saddle
Hardware Zinc
O-Ring EPDM



H = 7-11/16

L = 8- 1/2

L1 = 10-1/16

M = 5- 1/4

N = 1-3/4

Hole Size = 4

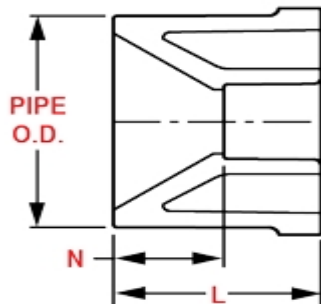
Bolt = 10
Torque
FT./LBS.

No of = 6
Bolts

Injection Molded Dimension References:

- G** = (LAYING LENGTH) intersection of center lines to bottom of socket/thread; 90° elbows, tees, crosses; ± 1/32 inch.
- H** = Intersection of center lines to face of fitting; 90° elbows tees, crosses; ± 1/32 inch.
- J** = Intersection of center lines to bottom of socket/thread; 45° elbows; ± 1/32 inch
- L** = Overall length of fittings; ± 1/16 inch.
- M** = Outside diameter of socket/thread hub; ± 1/16 inch.
- N** = Socket bottom to socket bottom; couplings; ± 1/16 inch.
- W** = Height of cap; ± 1/16 inch

Typical Bushing Dimension References



The information printed here is based on current information & product design at the time of publication and is subject to change without notification. Spears® ongoing commitment to product improvement may result in some variation. No representation, guarantees or warranties of any kind are as to its accuracy, suitability for particular application or results to be obtained therefrom. For verification of technical data or additional information, please contact Spears® Technical Service Department :: WEST COAST : (818) 364-1611 - EAST COAST : (717) 938-9006