

Part No: 722321G-020C

Valves

Butterfly Valve

Desc: 2 CPVC LUG INS BFV EPDM W/GEAR OP SS LUG

MSRP: 2333.01

Part Code: 252

Weight(lbs): 5.545

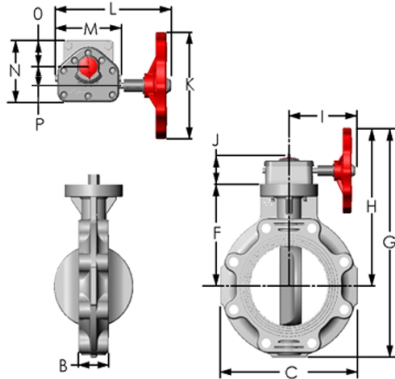
Weight(kg): 2.515

Weight(gm): 2515

Size: 2

Color: GRAY

Material: CPVC



Design Lug Insert (SS)
Handle Gear Operator
O-Ring EPDM

B = 1-15/16

C = 6

Bolt Circle Dia. = 4-3/4

Bolt Size = 5/8

L = 8-7/8

M = 4-3/8

N = 4-3/8

O = 2

P = 2-3/8

No of Bolts = 4

F = 4-3/4

G = 12-13/16

H = 9-13/16

I = 6-9/16

J = 2-1/4

K = 8

Injection Molded Dimension References:

G = (LAYING LENGTH) intersection of center lines to bottom of socket/thread; 90° elbows, tees, crosses; ± 1/32 inch.

H = Intersection of center lines to face of fitting; 90° elbows tees, crosses; ± 1/32 inch.

J = Intersection of center lines to bottom of socket/thread; 45° elbows; ± 1/32 inch

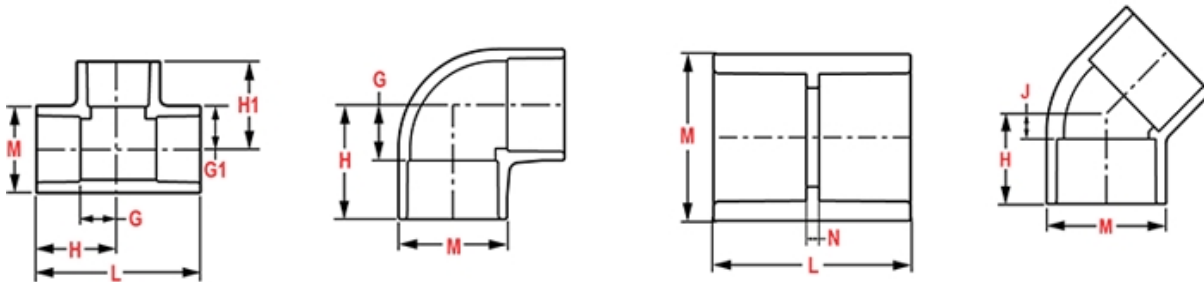
L = Overall length of fittings; ± 1/16 inch.

M = Outside diameter of socket/thread hub; ± 1/16 inch.

N = Socket bottom to socket bottom; couplings; ± 1/16 inch.

W = Height of cap; ± 1/16 inch

Typical Molded Dimension References



The information printed here is based on current information & product design at the time of publication and is subject to change without notification. Spears® ongoing commitment to product improvement may result in some variation. No representation, guarantees or warranties of any kind are as to its accuracy, suitability for particular application or results to be obtained therefrom. For verification of technical data or additional information, please contact Spears® Technical Service Department :: WEST COAST : (818) 364-1611 - EAST COAST : (717) 938-9006