

**Part No:** 406-040G

**Schedule** 40 Gray

**Elbow**

**Desc:** 4 PVC 90 ELL SOC SCH40 GRAY

**MSRP:** 46.81

**Part Code:** 043

**Weight(lbs):** 1.72

**Weight(kg):** 0.78

**Weight(gm):** 780

**Size:** 4"

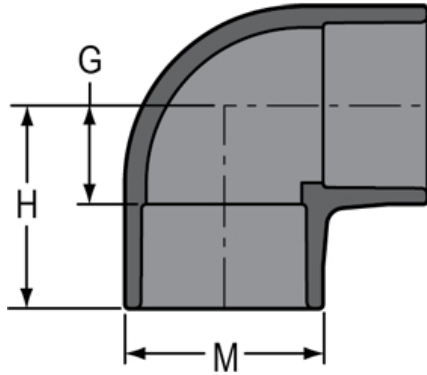
**Color:** GRAY

**Material:** PVC

**Connection** Socket x Socket

**Angle** 90°

**Type** Standard



**G** = 2-13/32

**H** = 4-7/16

**M** = 5- 1/32

## Injection Molded Dimension References:

**G** = (LAYING LENGTH) intersection of center lines to bottom of socket/thread; 90° elbows, tees, crosses; ± 1/32 inch.

**H** = Intersection of center lines to face of fitting; 90° elbows tees, crosses; ± 1/32 inch.

**J** = Intersection of center lines to bottom of socket/thread; 45° elbows; ± 1/32 inch

**L** = Overall length of fittings; ± 1/16 inch.

**M** = Outside diameter of socket/thread hub; ± 1/16 inch.

**N** = Socket bottom to socket bottom; couplings; ± 1/16 inch.

**W** = Height of cap; ± 1/16 inch

## Typical Molded Dimension References

