

Part No: 2731VT-010PSR

Valves

Diaphragm Valve

Desc: 1 PP DIAPHRAGM VALVE PTFE/FKM SR/THD FKM

MSRP: 645.49

Part Code: 280

Weight(lbs): 1.552

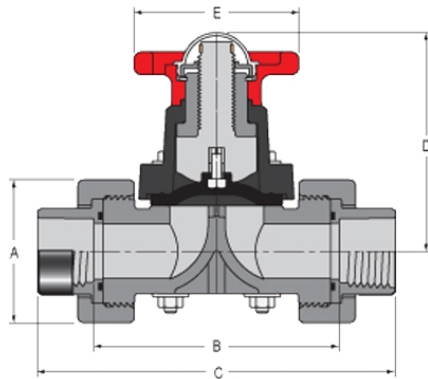
Weight(kg): 0.704

Weight(gm): 704

Size: 1

Color: BEIGE

Material: Polypropylene



Connection SR Fipt

O-Ring FKM

Diaphragm Material PTFE/FKM

A = 2- 9/16

B = 4-15/16

C = 6-13/16

D = 4- 7/16

E = 3- 3/8

Injection Molded Dimension References:

G = (LAYING LENGTH) intersection of center lines to bottom of socket/thread; 90° elbows, tees, crosses; ± 1/32 inch.

H = Intersection of center lines to face of fitting; 90° elbows tees, crosses; ± 1/32 inch.

J = Intersection of center lines to bottom of socket/thread; 45° elbows; ± 1/32 inch

L = Overall length of fittings; ± 1/16 inch.

M = Outside diameter of socket/thread hub; ± 1/16 inch.

N = Socket bottom to socket bottom; couplings; ± 1/16 inch.

W = Height of cap; ± 1/16 inch

Typical Molded Dimension References

