

Compact Vapor Condensers

JCT/JST Series 2" - 6"

JST & JCT Series vapor condensers are designed to protect equipment from harmful vapors and liquids that can break down pump oils and harm a pump's inner workings. Vapor removal is accomplished through transitioning a substance from a gaseous state to a liquid or solid state and collecting any condensed material that accumulates.

Features

- Removable heat exchanger fin pack for ease of cleaning and long lasting optimum performance
- Coolant flask system
- Stainless steel demister pad
- Compact housing for minimal footprint
- Coolant inlet and outlet ports
- JST Series: Durable see-through polycarbonate bucket
- JCT Series: Corrosive resistant carbon steel bucket



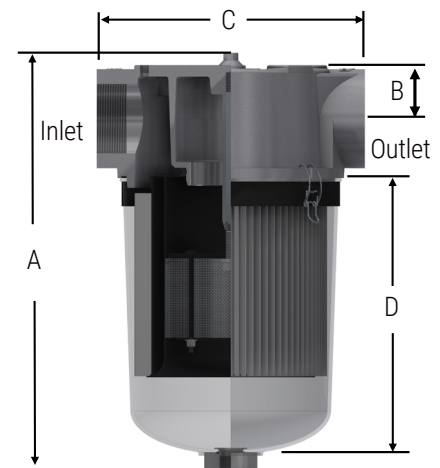
Options



ATEX Available

- ATEX available for JCT versions only
- Additional ports
- Vacuum gauge
- Support frame
- Extended capacity (select models)
- Taps for gauges and mounting brackets

Inlet / Outlet		Assembly Part Number	Dimensions (inches)				Suggested Service Ht. (inches)
Size	Type		A	B	C	D	
2"	NPSC	JST-C2048-200C	19.26	1.98	9.00	13.05	11
2 1/2"	FNPT	JST-C2048-250C	19.26	1.98	9.36	13.05	11
3"	FNPT	JST-C2081-300C	22.81	2.70	13.50	14.78	11
4"	FNPT	JST-C2081-400C	22.81	2.72	13.50	14.78	11
2"	NPSC	JCT-C2048-200C	20.58	1.98	9.00	16.09	11
2 1/2"	FNPT	JCT-C2048-250C	20.58	1.98	9.36	16.09	11
3"	FNPT	JCT-C2081-300C	19.91	2.70	13.50	13.48	11
4"	FNPT	JCT-C2081-400C	19.85	2.70	13.50	13.48	11
6"	FNPT	JCT-C3226-600C	29.85	3.89	19.00	20.75	11



Learn More

For more information about Solberg products and finding the right solutions for your equipment needs, visit us at SolbergMfg.com.

Contact Us

solbergmfg.com/locations

