



Manual transfer enclosed switches

Enclosed COMO CS, SIRCOVER, SIRCO M

25 to 1600 A



como-enc_017_a.eps

COMO CS enclosure
25 to 100 A
Polycarbonate - IP65



coff_563_a_front.eps

SIRCOVER enclosure
160 to 630 A
Polyester - IP65



coff_602_a_front.eps

SIRCO M enclosure
32 to 100 A
Painted steel - IP65



coff_606_a_front.eps

SIRCOVER enclosure
160 to 1600 A
Painted steel - IP65

The solution for

- > Securing the electrical supply for moderately sensitive applications



Strong points

- > Safe operation
- > Suitable for all kinds of environment
- > Easy setup
- > Extensive range

Compliance with standards

- > IEC 60947-6,-1
- > IEC 60364
- > IEC 61439
- > EN 60204-1



Function

Enclosed changeover switches ensure the on-load changeover of circuits and safely isolate all low-voltage electrical circuits by providing protection against contact with live parts and environmental elements such as dust, water and other hazards.

They safely switch sources or loads and enable the shutdown and isolation of the power supply as close to the equipment as possible.

Advantages

Safe operation

- Proximity disconnection.
- Ergonomic control lever.
- Triple lock system.

Suitable for all kinds of environments

- Isolating for chemical environments and outdoor areas.
- Painted steel for impact protection.
- Stainless steel for food processing and pharmaceutical applications.

Easy setup

- Room for cabling.
- Pre-drilled cable-in holes.

Extensive range

- Standard range.
- Products suitable for any use.
- Red-yellow, black lever.

COMO CS in polycarbonate enclosure



General characteristics

- 25 to 100 A
- 3 poles, 4 poles.
- Red lever / yellow backplate.
- Triple lock in OFF position.
- Polyester enclosure.
- Screw-on cover.
- Colour: RAL 7035.
- Degree of protection: IP65.
- Wall-mounted.
- Built-in bridging bars.

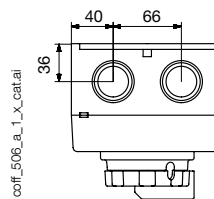
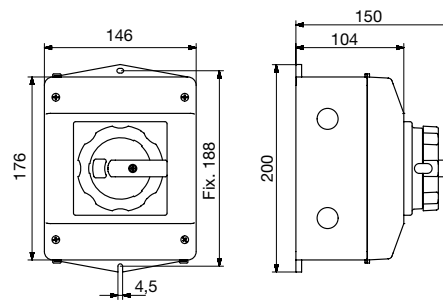
References

Rating (A)	No. of poles	I-0-II Part number	I-II Part number
25	3 P	4331 3C02	4321 3C02
25	4 P	4331 4C02	4321 4C02
40	3 P	4331 3C04	4321 3C04
40	4 P	4331 4C04	4321 4C04
63	3 P	4331 3C06	4321 3C06
63	4 P	4331 4C06	4321 4C06
100	3 P	4331 3C10	4321 3C10
100	4 P	4331 4C10	4321 4C10

Mechanical accessories

Name	Part number
Set of 4 brackets for enclosure P = 171 mm	U000 CB18

Dimensions



- 4x M20 pre-drilled holes (on the side)
- 2X M32/M40 pre-drilled holes (top and bottom)
- 2 pre-drilled holes to expel water

Rating (A)	No. of poles	H x W x D (mm)	Cable-in (top and bottom)
25 - 40	3 / 4 P	200 x 146 x 104	2 x (Ø 32 + Ø 40)
63 - 100	3 / 4 P	270 x 180 x 171	-

Electrical features according to IEC 60947-3

Thermal current I_{th} (40°C)	25 A	40 A	63 A	100 A
Enclosed thermal current I_{th} (35°C) (A)	25	40	63	93
Enclosed thermal current I_{th} (50°C) (A)	22	35	54	86
Isolation voltage (U)	690	690	690	690
Rated impulse withstand voltage U_{imp} (kV)	4.8	6	6	6
Rated operational currents I_e (A)				
Usage class at 400 VAC				
AC-21 A	25	40	63	100
AC-22A	20.5	40	63	100
AC-23A	15	29	63	63
Operational power in AC-23 (kW)				
A 400 VAC without pre-break AC	5.5	11	-	-
Conditional short circuit current with gG DIN fuse				
Prospective short circuit current (kA rms)	7	10	-	-
Associated fuse rating (A)	20	40	-	-
Connection				
Min CU cable section (mm ²)	0.5	6	16	35
Max CU cable section (mm ²)	4	-	-	-
Clamping torque	0.8-1.2	1.2-1.5	2.5	1,5
Mechanical features				
Durability (number of operating cycles)	100,000	100,000	100,000	100,000

Manual transfer enclosed switches

Enclosed **COMO CS**, **SIRCOVER**, **SIRCO M**

25 to 1600 A

SIRCOVER in polyester enclosure



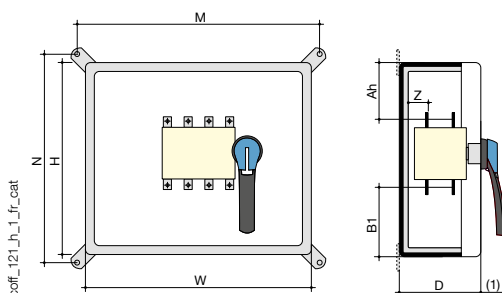
General characteristics

- From 160 to 630 A.
- 3 poles, 4 poles.
- Switch with transfer when OFF (I-0-II), other options on request
- Black lever.
- Triple lock in OFF position.
- Polyester enclosure.
- Door latch system.
- Colour: RAL 7035.
- IP rating:
IP54 < 400A; IP65 ≥ 400A.
- Wall-mounted, 4 brackets included.
- Bridging bars (order separately).
- NO/NC auxiliary contact (order separately).
- Terminal screen (order separately).

References

Rating (A)	N° of poles	Part number	Bridging bars	Auxiliary contacts	Protective screen.
160	3 P	4215 3016	4109 3019	1 NO/NC auxiliary contact 4109 0021	1509 3012
	4 P	4215 4016	4109 4019		1509 4012
250	3 P	4215 3025	4109 3025		1509 3025
	4 P	4215 4025	4109 4025		1509 4025
400	3 P	4215 3040	4109 3040		1509 3025
	4 P	4215 4040	4109 4040		1509 4025
630	3 P	4215 3063	4109 3063		1509 3063
	4 P	4215 4063	4109 4063		1509 4063

Dimensions



Rating (A)	N° of poles	H x W x D (mm)	M (mm)	N (mm)	Z (mm)	Ah (mm)	B1 (mm)	Weight (kg)
160	3 P	540 x 270 x 233	272	542	28	210	210	9
	4 P	540 x 360 x 233	362	542	28	210	210	10
250	3 P	540 x 360 x 233	362	542	29	205	205	11
	4 P	540 x 360 x 233	362	542	29	205	205	12
400	3 P	800 x 600 x 300	620	796	29	330	330	30
	4 P	800 x 600 x 300	620	796	29	330	330	31
630	3 P	800 x 600 x 300	620	796	45	297	297	38
	4 P	800 x 600 x 300	620	796	45	297	297	40

Characteristics according to IEC 60947-3, IEC 60947-6-1 and IEC 61439-2

Thermal current I _{th} (40°C)	160A	250A	400A	630A
Enclosed thermal current I _{th} (35°C) (A)	160	250	400	630
Enclosed thermal current I _{th} (50°C) (A)	138	216	345	544
Rated insulation voltage U _i (V)	800	1000	1000	1000
Rated impulse withstand voltage U _{imp} (kV)	8	12	12	12
Rated operational currents I_e (A)				
Rated voltage	Utilisation category			
415 VAC	AC-23 A / AC-23 B			
690 VAC	AC-23 A / AC-23 B	160	250	400
		63/80	125	125
				500/630
				400
Operational power in AC-23 (kW)				
400 VAC without pre-break AC (kW)	80	132	280	450
690 VAC without pre-break AC (kW)	55/75	90/110	150/185	185/220
Current rated as conditional short-circuit with fuse gG DIN				
Prospective short-circuit current (kA rms)	100	50	50	50
Associated fuse rating (A)	160	250	400	630
Circuit breaker protected short-circuit withstand with any circuit breaker that ensures tripping in less than 0.3s				
Rated short-time withstand current 0.3s. I _{cw} (kA rms)	12	15	15	17
Short-circuit operation (switch only)				
Rated short-time withstand current I _{cw} 1s (kA rms)	7	8	8	10
Connection				
Minimum Cu cable cross-section (mm ²)	35	95	185	2x120
Maximum Cu cable cross-section (mm ²)	95	150	240	2x300

SIRCO M changeover switch in steel enclosure



General characteristics

- 32 to 100A.
- 3 poles + solid neutral , 4th switched pole optional extra (max. 1).
- Black lever
- Triple lock in OFF position.
- Painted steel enclosure.
- Door latch system.
- Fixed via 4 holes at the base of the enclosure.
- Colour: RAL 7035.
- Pre-drilled cable-in holes at top and bottom.
- Degree of protection: IP65.
- Aux contact NO+NC or 2 NC (max. 1 per source) (order separately).
- Terminal shroud (order separately).

References

Rating (A)	No. of poles	I-O-II Part number	Auxiliary contacts	Terminal shroud and screen	
32	3 P + N	4214 5003	1 AC NO + NC 2299 0001	2294 3005 (3 P)	
	4 P	4214 4003		2294 1005 (1 P)	
63	3 P + N	4214 5006		1 AC 2F 2299 0011	2294 3009 (3 P)
	4 P	4214 4006			2294 1009 (1 P)
100	3 P + N	4214 5010			2294 3016 (3 P)
	4 P	4214 4010			2294 1011 (1 P)

Dimensions

Rating (A)	No. of poles	H x W x D (mm)	Cable-in (mm) (top and bottom)
32 - 63	3 P + N 4 P	300 x 250 x 150	Ø 32 + 2 x Ø 50 + Ø 16
100	3 P + N 4 P	400 x 300 x 210	180 x 100

Characteristics according to IEC 60947-3, IEC 60947-6-1 and IEC 61439-2

Thermal current I_{th} (40°C)	32A	63A	100A
	M1	M2	M3
Enclosed thermal current I_{th} (35°C) (A)	32	63	100
Enclosed thermal current I_{th} (50°C) (A)	28	54	86
Rated insulation voltage U_i (V)	800	800	800
Rated impulse withstand voltage U_{imp} (kV)	8	8	8
Rated operational currents I_e (A)			
Rated voltage	Utilisation category		
415 VAC	AC-23 A / AC-23 B	32	63
690 VAC	AC-23 A / AC-23 B	25	40
Operational power in AC-23 (kW)			
400 VAC without pre-break AC (kW)	15	30	45
690 VAC without pre-break AC (kW)	15	30	45
Current rated as conditional short-circuit with fuse gG DIN			
Prospective short-circuit current (kA rms)	50	50	25
Associated fuse rating (A)	32	63	100
Circuit breaker protected short-circuit withstand with any circuit breaker that ensures tripping in less than 0.3s			
Rated short-time withstand current 0.3s. I_{cw} (kA rms)	2.5	3	5
Short-circuit operation (switch only)			
Rated short-time withstand current I_{cw} 1s (kA rms)	1.26	1.5	2.75
Rated peak withstand current (kA peak)	6	9	12
Connection			
Minimum Cu cable cross-section (mm ²)	1.5	2.5	10
Maximum Cu cable cross-section (mm ²)	16	35	70

Manual transfer enclosed switches

Enclosed **COMO CS**, **SIRCOVER**, **SIRCO M**

25 to 1600 A

SIRCOVER in steel enclosure



ccff_606_a_front.eps

General characteristics

- From 160 to 1600 A.
- 3 poles + solid neutral, 4 poles.
- Black lever.
- Triple lock in OFF position.
- Painted steel enclosure.
- Door latch system.
- Colour: RAL 7035.
- Pre-drilled cable-in holes at top and bottom
- Degree of protection: IP65.
- Wall-mounted, 4 brackets included.
- Bridging bars (order separately).
- NO/NC auxiliary contact (order separately).
- Terminal screen (order separately).

References

Rating (A)	No. of poles	I-O-II Part number	Bridging bars	Auxiliary contacts	Protective screen.
160	3 P + N	4214 5016	4109 3019	1 NO/NC auxiliary contact 4109 0021	1509 3012
	4 P	4214 4016	4109 4019		1509 4012
250	3 P + N	4214 5025	4109 3025		1509 3025
	4 P	4214 4025	4109 4025		1509 4025
400	3 P + N	4214 5040	4109 3039		1509 3025
	4 P	4214 4040	4109 4039		1509 4025
630	3 P + N	4214 5063	4109 3063		1509 3063
	4 P	4214 4063	4109 4063		1509 4063
800	3 P + N	4214 5080	4109 3080		1509 3080
	4 P	4214 4080	4109 4080		1509 4080
1250	3 P + N	4214 5084	4109 3120		1509 3080
	4 P	4214 4084	4109 4120		1509 4080
1600	3 P + N	4214 5088	4109 3160		1509 3160
	4 P	4214 4088	4109 4160		1509 4160

Dimensions

Rating (A)	No. of poles	H x W x D (mm)	Cable-in (mm) (top and bottom)
160 - 250	3 P + N 4 P	600 x 400 x 250	280 x 100
400 - 630	3 P + N 4 P	800 x 600,350	560 x 100
800 - 1600	3 P + N 4 P	1200 x 800,500	660 x 100

SIRCOVER in steel enclosure (cont.)

Characteristics according to IEC 60947-3, IEC 60947-6-1 and IEC 61439-2

Thermal current I_{th} (40°C)	160 A	250 A	400 A	630 A	800 A	1250 A	1600 A	
Enclosed thermal current I_{th} (35°C) (A)	160	250	400	630	770	1000	1450	
Enclosed thermal current I_{th} (50°C) (A)	138	216	345	544	665	863	1252	
Rated insulation voltage U_i (V)	800	1000	1000	1000	1000	1000	1000	
Rated impulse withstand voltage U_{imp} (kV)	8	12	12	12	12	12	12	
Rated operational currents I_b (A)								
Rated voltage	Utilisation category							
415 VAC	AC-23 A / AC-23 B	160	250	400	500/630	800	1250	1250
690 VAC	AC-23 A / AC-23 B	63/80	125	125	400	630	800	800
Operational power in AC-23 (kW)								
400 VAC without pre-break AC (kW)	80	132	280	450	710	710	710	
500 VAC without pre-break AC (kW)								
690 VAC without pre-break AC (kW)	55/75	90/110	150/185	185/220	185/220	475	750	
Current rated as conditional short-circuit with fuse gG DIN								
Prospective short-circuit current (kA rms)	100	50	50	50	50	100	100	
Associated fuse rating (A)	160	250	400	630	800	1250	2x800	
Circuit breaker protected short-circuit withstand with any circuit breaker that ensures tripping in less than 0.3s								
Rated short-time withstand current 0.3s. I_{cw} (kA rms)	12	15	15	17	64	64	78	
Short-circuit operation (switch only)								
Rated short-time withstand current I_{cw} 1s (kA rms)	7	8	8	10	35	35	50	
Connection								
Minimum Cu cable cross-section (mm ²)	35	95	185	2 x 120	2 x 185			
Maximum Cu cable cross-section (mm ²)	95	150	240	2 x 300	2 x 300	4 x 185	6 x 185	