

## SIRCO M polycarbonate enclosure

### Front operation



### General characteristics

- Equipped with a 3 pole SIRCO M.
- 1 removable neutral terminal and 1 removable earth terminal.
- Possibility of adding 1 additional pole.
- Possibility of adding 1 M-type auxiliary contact module.
- Protection IP65.

### References

#### Enclosed switches

Rating (A)	No. of pole	Handle colour	Enclosure colour	Reference
16	3 P	Black	Grey	2215 3300
16	3 P	Red	Yellow	2215 3400
20	3 P	Black	Grey	2215 3301
20	3 P	Red	Yellow	2215 3401
25	3 P	Black	Grey	2215 3302
25	3 P	Red	Yellow	2215 3402
32	3 P	Black	Grey	2215 3303
32	3 P	Red	Yellow	2215 3403
40	3 P	Black	Grey	2215 3304
40	3 P	Red	Yellow	2215 3404
63	3 P	Black	Grey	2215 3306
63	3 P	Red	Yellow	2215 3406
80	3 P	Black	Grey	2215 3308
80	3 P	Red	Yellow	2215 3408
100	3 P	Black	Grey	2215 3309 <sup>(1)</sup>
100	3 P	Red	Yellow	2215 3409 <sup>(1)</sup>

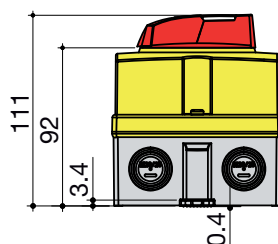
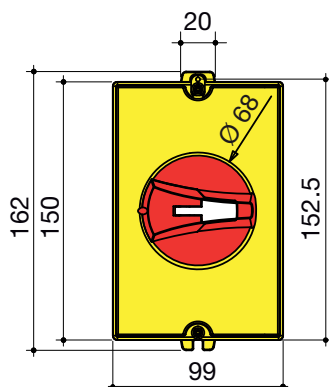
(1) No UL.

#### Empty enclosures

Rating (A)	No. of pole	Handle colour	Enclosure colour	Reference
16 ... 40	3 P	Black	Grey	2215 9305
16 ... 40	3 P	Red	Yellow	2215 9405
63 ... 80	3 P	Black	Grey	2215 9309
63 ... 80	3 P	Red	Yellow	2215 9409

### Dimensions

#### SIRCO M 16 to 40 A

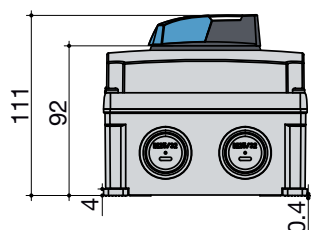
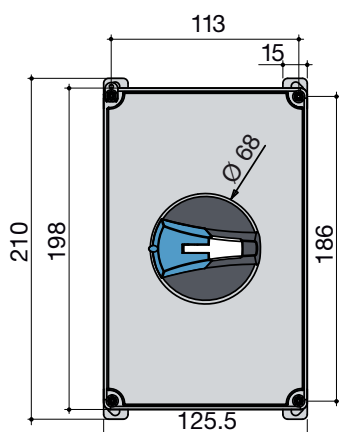


sircm\_130\_c\_1\_cat

#### For enclosure 162 x 99 mm

- 4 pre-drilled holes M16 (on the side).
- 4 pre-drilled holes M20 / M25 (top and bottom).
- 4 pre-drilled holes M20 (rear).

#### SIRCO M 63 to 100 A



sircm\_131\_b\_1\_cat

#### For enclosure 210 x 125.5 mm

- 4 pre-drilled holes M16 (on the side).
- 4 pre-drilled holes M25 / M32 (top and bottom).
- 2 pre-drilled holes M25 / M32 (rear).