

CODE NUMBER

3782657

DESCRIPTION

0.5 gpf, Polished Chrome Finish, 0.75 Flush Connection, Fixture Connection Top Spud, Single Flush, 0.75" Inlet, 3/4" Control Stop, Electrical Override, Battery, Infrared, Sloan® Exposed Sensor Urinal Flushometer.

DETAILS

- Flush Volume: 0.5 gpf (1.9 Lpf)
- Finish: Polished Chrome (CP)
- Power Type: Battery
- Valve: Diaphragm
- Valve Body Material: Semi-red Brass
- Fixture Type: Urinal
- Fixture Connection: Top Spud
- Rough-In Dimension: 11 ½" (292mm)
- Spud Coupling: ¾" (19mm)
- Supply Pipe: ¾" (19mm)
- Override: Electrical
- Control Stop: 3/4"
- Inlet: 0.75"
- Flush Connection: 0.75

FEATURES

- Sweat Solder Adapter with Cover Tube and Cast Wall Flange
- ¾" I.P.S. Screwdriver Bak-Chek® Angle Stop with Vandal Resistant Stop Cap
- Spud Coupling and Spud Flange for ¾" Top Spud
- Vacuum Breaker Flush Connection
- PERMEX® Synthetic Rubber Diaphragm with Dual Linear Filtered Bypass
- "User in View" Flashing LED
- No External Volume Adjustment to Ensure Water Conservation
- Stop Seat and Vacuum Breaker Molded from PERMEX® Rubber Compound for Chloramine resistance
- Four (4) Size C Batteries included
- Manual Override Flush Button
- "Low Battery" Flashing LED with Optional Audio Tone
- Optional 24-Hour Sentinel Flush



COMPLIANCES & CERTIFICATIONS



(ADA Compliant, BAA Compliant, BABAA Compliant, BREEAM Water Credit, Green Globes Water Credit, LEED V4 Water Efficiency Credit, Satisfies LEED Credits, UPC Certified, WaterSense Listed)

RECOMMENDED SPECIFICATION

Valve Body, Cover, Tailpiece and Control Stop shall be in conformance with ASTM Alloy Classification for Semi- Red Brass. Valve shall be in compliance with the applicable sections of ASSE 1037 and ANSI/ASME 112.19.2.

ELECTRICAL SPECIFICATIONS

- Sensor Range: 22" - 42" (559-1,067mm)

VALVE OPERATING PRESSURE (FLOWING)

15-80 PSI (103-552 kPa). Specific fixtures may require greater minimum flowing pressure - consult manufacturer requirements.

DOWNLOADS

- [Sloan Exposed Installation Instructions](#)
- [Sloan Exposed \(Spanish\) Installation Instructions](#)
- [Optima SMO Installation Instructions](#)
- [Control Stop Repair and Maintenance Guide](#)
- [Flush Connections Flanges Repair and Maintenance Guide](#)
- [Tail Piece Repair and Maintenance Guide](#)
- [Sloan Flushometer Repair and Maintenance Guide](#)
- [EBV-89A Side Mount Repair and Maintenance Guide](#)
- [Additional Downloads](#)

NOTES

All information contained within this document subject to change without notice.

Looking for other variations of the SLOAN 186 SMO product?

Sloan 10500 Seymour Ave, Franklin Park, IL 60131

Phone: 800.982.5839 • Fax: 800.447.8329 • sloan.com

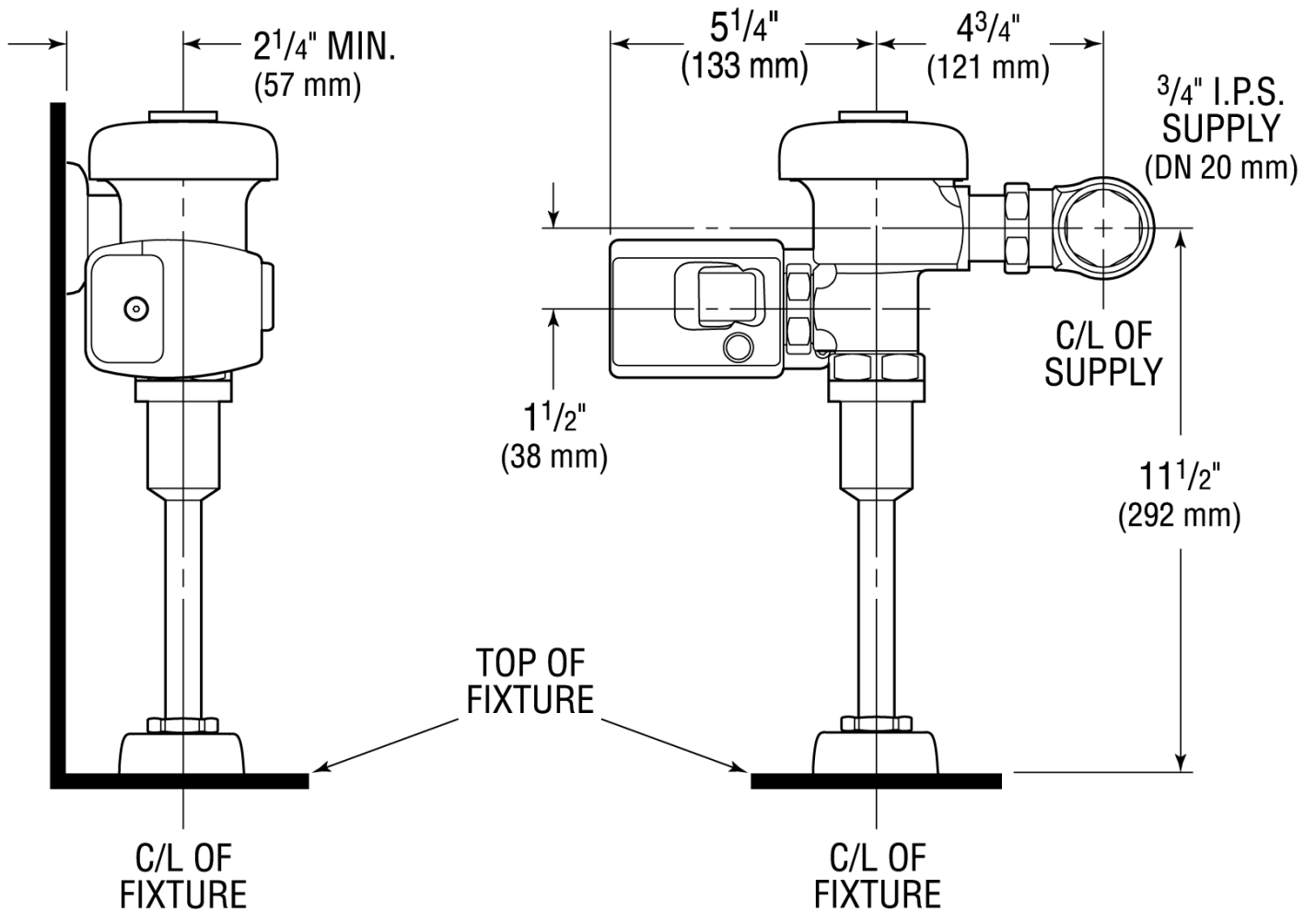
[View the general spec sheet with all options.](#)

WaterSense compliant when used with a WaterSense compliant fixture

WARRANTY

[View Warranty Information](#)

ROUGH-IN



Sloan 10500 Seymour Ave, Franklin Park, IL 60131

Phone: 800.982.5839 • Fax: 800.447.8329 • sloan.com