

CODE NUMBER

3453271

DESCRIPTION

1.5 gpf, Rough Brass Finish, Fixture Connection Rear Spud, Single Flush, 2-10.75 L Dimension, True Mechanical Override, Hardwired, Sensor-Operated, 24V, Royal® Concealed Sensor Hardwired Urinal Flushometer.

DETAILS

- Flush Volume: 1.5 gpf (5.7 Lpf)
- Finish: Rough Brass
- Power Type: Hardwired (HW)
- Valve: Diaphragm
- Valve Body Material: Semi-red Brass
- Fixture Type: Urinal
- Fixture Connection: Rear Spud
- Rough-In Dimension: 13 ½" (343mm)
- Spud Coupling: ¾" (19mm)
- Supply Pipe: ¾" (19mm)
- L Dimension: 2" - 10 ¾" (51-273mm)
- Override: True Mechanical (TMO)
- Voltage: 24V

FEATURES

Quiet, Concealed, Diaphragm Type, Rough Brass Urinal

- Handle Packing, Main Seat, Stop Seat and Vacuum Breaker Molded from PERMEX® Rubber Compound for Chloramine resistance
- User friendly three (3) second Flush Delay
- Fixed Metering Bypass and No External Volume Adjustment to Ensure Water Conservation
- "Walk By" Delay of Eight (8) Seconds Prevents Unintentional Flushes
- Courtesy Flush® Non-Hold-Open True Mechanical Override
- Hydraulic Metal Push Button Assembly for True Mechanical Override
- Vacuum Breaker Flush Connection with One-Piece Bottom Hex Coupling Nut, Spud Coupling and Flange for ¾" Rear Spud
- ¾" I.P.S. Wheel Handle Bak-Chek® Angle Stop

VIDEOS

- ▶ [ESS Flushometer](#)



COMPLIANCES & CERTIFICATIONS



(ADA Compliant, BAA Compliant, BABAA Compliant, cUPC Certified, UL Certified, UPC Certified)

RECOMMENDED SPECIFICATION

Valve Body, Cover, Tailpiece and Control Stop shall be in conformance with ASTM Alloy Classification for Semi- Red Brass. Valve shall be in compliance with the applicable sections of ASSE 1037 and ANSI/ASME 112.19.2.

ELECTRICAL SPECIFICATIONS

- Arming Delay: 8 seconds
- Control Circuit: Solid State/24 VAC Input/24 VAC Output
- Flush Delay: 1s
- Self-Adaptive Window: ±8
- Sensor Range: 15" - 30" (381 - 762mm)
- Solenoid Operator: 24 VAC
- Transformers (specify separately):
 - 0345154
 - 0345999

VALVE OPERATING PRESSURE (FLOWING)

15-80 PSI (103-552 kPa). Specific fixtures may require greater minimum flowing pressure - consult manufacturer requirements.

DOWNLOADS

- [Royal ESS Concealed and Exposed Installation Instructions](#)
- [Royal 152/195 ESS TMO \(Spanish\) Installation Instructions](#)
- [Royal 152/195 ESS TMO Installation Instructions](#)
- [Royal 152/195 SWB ESS TMO \(Spanish\) Installation Instructions](#)
- [Optima Surface Mounted Sensor Activated Royal/Sloan Concealed Installation Instructions](#)
- [Royal 140/152/153/195 ESS TMO SWB Installation Instructions](#)
- [Royal ESS Concealed with Wall Box Installation Instructions](#)
- [Control Stop Repair and Maintenance Guide](#)

Sloan 10500 Seymour Ave, Franklin Park, IL 60131

Phone: 800.982.5839 • Fax: 800.447.8329 • sloan.com

- [Flush Connections Flanges Repair and Maintenance Guide](#)
- [Tail Piece Repair and Maintenance Guide](#)
- [Optima ESS Repair and Maintenance Guide](#)
- [Optima ESS TMO Concealed Repair and Maintenance Guide](#)
- [Optima ESS TMO SWB Concealed Repair and Maintenance Guide](#)
- [Additional Downloads](#)

NOTES

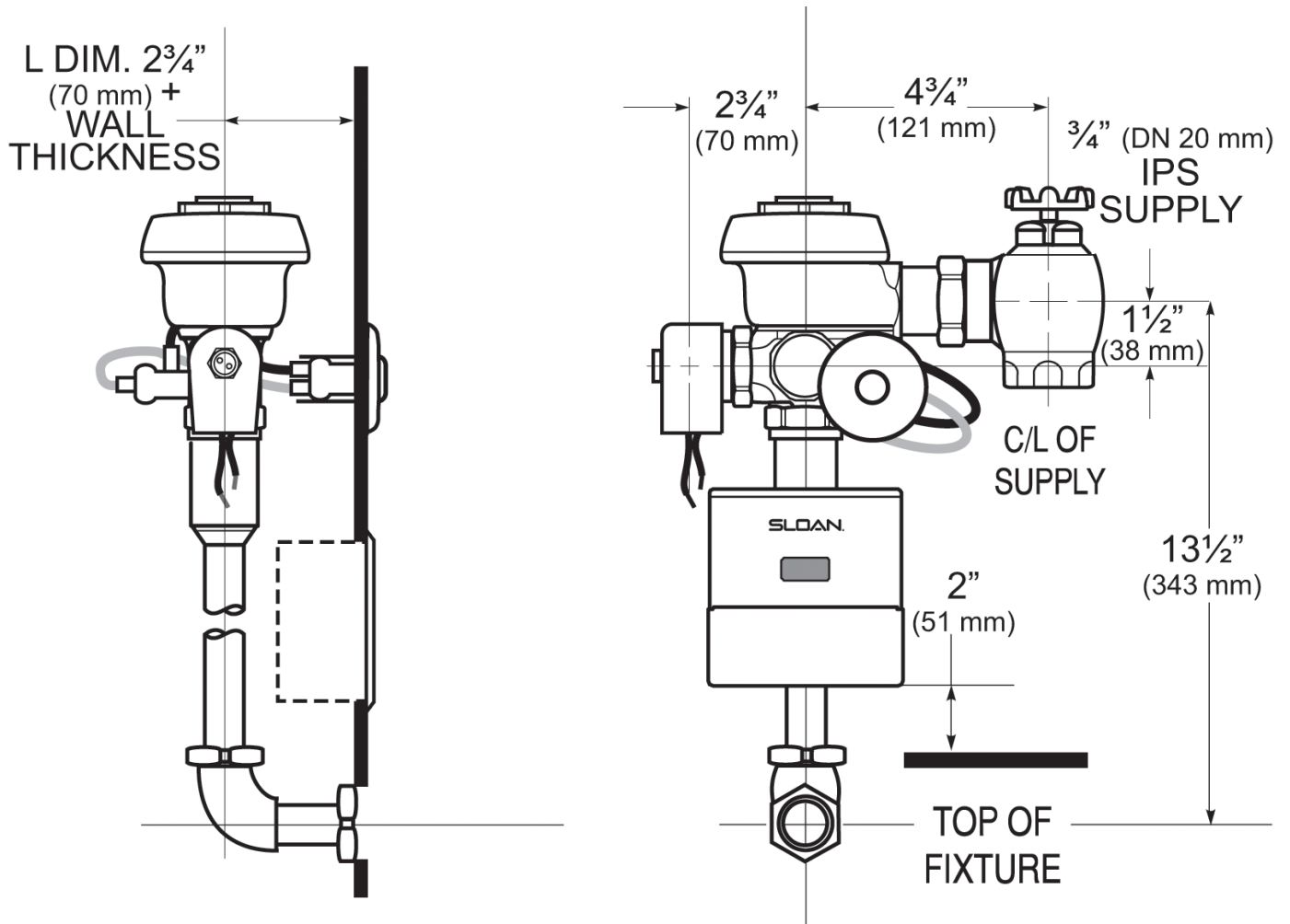
All information contained within this document subject to change without notice.

Looking for other variations of the ROYAL 195 ESS product? [View the general spec sheet with all options.](#)

WARRANTY

[View Warranty Information](#)

ROUGH-IN



Sloan 10500 Seymour Ave, Franklin Park, IL 60131
Phone: 800.982.5839 • Fax: 800.447.8329 • sloan.com