



Main

Range of Product	Harmony XB5
Product or Component Type	Flush mounting kit
Accessory / separate part category	Mounting and fixing accessory
Product Compatibility	ZB5AV XB5EV XB7EV XB7NL ZB5AL XB7NA ZB5AA flush ZB5AH flush XB7NJ XB7NG XB7ND XB7NW
Accessory / separate part destination	Pilot light Push-button

Complementary

Colour	Black
IP degree of protection	IP66 IEC 60529 front face) IP69 IEC 60529 front face) IP69K DIN 40050-9 front face)
IK degree of protection	IK03 IEC 50102
Mounting diameter	1.20 in (30.5 mm)
Quantity per Set	Set of 1

Ordering and shipping details

Category	18079 - SPARE PARTS DISCOUNT CP10
Discount Schedule	CP10
GTIN	3606485440224
Nbr. of units in pkg.	1
Package weight(Lbs)	0.53 oz (15 g)
Returnability	No
Country of origin	FR

Packing Units

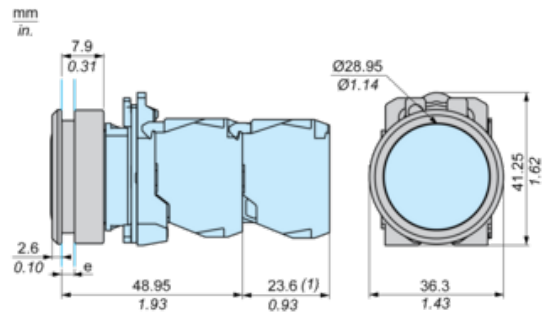
Unit Type of Package 1	PCE
Package 1 Height	2.05 in (5.2 cm)
Package 1 width	1.69 in (4.3 cm)
Package 1 Length	2.17 in (5.5 cm)
Unit Type of Package 2	S02
Number of Units in Package 2	80
Package 2 Weight	3.27 lb(US) (1.481 kg)
Package 2 Height	5.91 in (15 cm)
Package 2 width	11.81 in (30 cm)
Package 2 Length	15.75 in (40 cm)
Unit Type of Package 3	P06
Number of Units in Package 3	1280

Package 3 Weight	74.30 lb(US) (33.7 kg)
Package 3 Height	19.69 in (50 cm)
Package 3 width	31.50 in (80 cm)
Package 3 Length	23.62 in (60 cm)

Offer Sustainability

REACH Regulation	REACH Declaration
EU RoHS Directive	Compliant EU RoHS Declaration
Toxic heavy metal free	Yes
Mercury free	Yes
RoHS exemption information	Yes
China RoHS Regulation	China RoHS Declaration
WEEE	The product must be disposed on European Union markets following specific waste collection and never end up in rubbish bins.

Dimensions with Flush Mounting Kit



e : Clamping thickness : 1 to 3.5 mm / 0.04 to 0.14 in.

(1) Additional row of contacts or double contact

Panel Cut-Out and Mounting

