

HMIZRA1

Illuminated Switch-5 Function keys with multi-color LEDs backlit



Main

Range of Product	Harmony HMIZ
Product or Component Type	Illuminated USB switch
Product compatibility	XBTGC - controller panel XBTGT2... - advanced touch panel HMISTO - touch panel HMISCU - touch panel XBTGT6... - advanced touch panel HMIGTW - advanced touch panel XBTGK - graphic display XBTGT4... - advanced touch panel XBTGT5... - advanced touch panel XBTGT7... - advanced touch panel HMISTU - touch panel HMIGTO - advanced touch panel HMIPSP - S-Panel PC HMIPSO - S-Panel PC HMIBMU - Modular Box PC HMIBMP - Modular Box PC HMIBMO - Modular Box PC HMIBMI - Modular Box PC
Device Application	Food and beverage Industrial machines
Provided equipment	1 x User Manual 1 x USB type B cable clamp 1 x fixing nut 1 x tightening wrench 1 x anti-rotation tee 1 x gasket 1 x insert label 1 x USB cable type A/B 3.28 ft (1 m)

Complementary

Software designation	Vijeo Designer >= V6.1 SP2
Connector type	USB type B
Control type	5 push-buttons multi-colour backlit LED
Colour of cover	Front dark grey
[Us] rated supply voltage	5 V DC USB 2.0
Supply voltage limits	4.75...5.25 V DC
Power consumption in W	2 W
Shock resistance	147 m/s ² chocks in each direction X, Y and Z IEC 61131-2
Electromagnetic compatibility	Electrostatic discharge immunity test 8 kV air discharge) IEC 61000-4-2 Electrostatic discharge immunity test 6 kV contact discharge) IEC 61000-4-2 Electrical fast transient/burst immunity test 2 kV power ports) IEC 61000-4-4 Electrical fast transient/burst immunity test 1 kV signal ports) IEC 61000-4-4
Mounting Location	Flat surface
Quantity per Set	1 piece
Height	2.13 in (54 mm)
Width	4.80 in (122 mm)
Depth	1.10 in (28 mm)
Net Weight	0.24 lb(US) (0.11 kg)

The information provided in this documentation contains general descriptions and/or technical characteristics of the performance of the products contained herein. This documentation is not intended as a substitute for and is not to be used for determining suitability or reliability of these products for specific user applications. It is the duty of any such user or integrator to perform the appropriate and complete risk analysis, evaluation and testing of the products with respect to the relevant specific application or use thereof. Neither Schneider Electric Industries SAS nor any of its affiliates or subsidiaries shall be responsible or liable for misuse of the information contained herein.

Environment

Ambient Air Temperature for Storage	-4...140 °F (-20...60 °C)
Relative humidity	10...90 % 32...131 °F (0...55 °C) non-condensing
Pollution degree	2
Environmental characteristic	Corrosive gas free
Operating altitude	<= 6561.68 ft (2000 m)
Vibration resistance	3.5 mm 5...9 Hz)IEC 61131-2
IP degree of protection	IP65 front panel (in enclosure))
NEMA degree of protection	NEMA 4X indoor installation NEMA 13 enclosed outdoor
Standards	CSA C22.2 No 142 UL 508 CSA C22.2 No 213 EN 61000-6-4 ANSI/ISA 12.12.01 EN 61000-6-2 EMC 2004/108/EC
Product Certifications	GOST UL/CUL listed C-tick CE
Level or class	Class I Division 2 Groups A/B/C/D

Ordering and shipping details

Category	22569 - MAGELIS XBT-GT (AND XBT-G)
Discount Schedule	MC2
GTIN	3595864167152
Nbr. of units in pkg.	1
Package weight(Lbs)	10.85 oz (307.5 g)
Returnability	No
Country of origin	CN

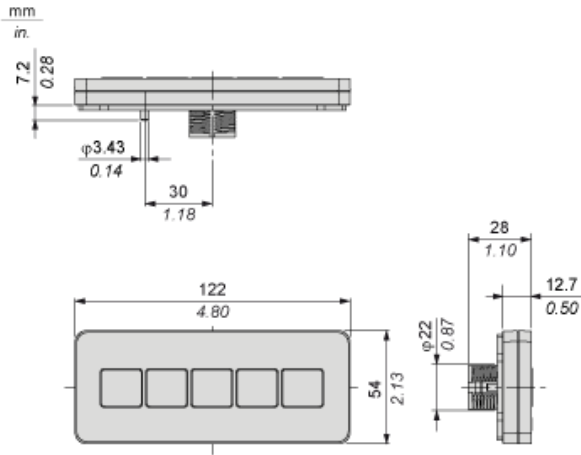
Packing Units

Unit Type of Package 1	PCE
Package 1 Height	2.95 in (75 mm)
Package 1 width	5.35 in (136 mm)
Package 1 Length	7.36 in (187 mm)
Unit Type of Package 2	S04
Number of Units in Package 2	32
Package 2 Weight	22.05 lb(US) (10 kg)
Package 2 Height	11.81 in (30 cm)
Package 2 width	15.75 in (40 cm)
Package 2 Length	23.62 in (60 cm)

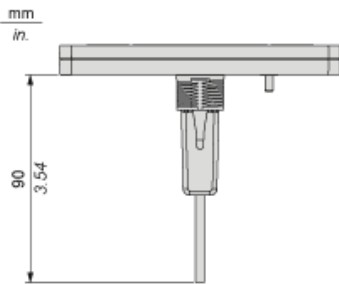
Offer Sustainability

California proposition 65	WARNING: This product can expose you to chemicals including: Lead and lead compounds, which is known to the State of California to cause cancer and birth defects or other reproductive harm. For more information go to www.P65Warnings.ca.gov
EU RoHS Directive	Pro-active compliance (Product out of EU RoHS legal scope) EU RoHS Declaration
Mercury free	Yes
RoHS exemption information	Yes
China RoHS Regulation	China RoHS Declaration
WEEE	The product must be disposed on European Union markets following specific waste collection and never end up in rubbish bins.

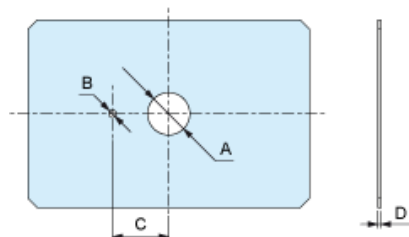
Dimensions



Dimensions with Cable



Mounting of Panel Cut-Out



Dimensions in mm

A	B	C	D
22.50 _{-0.30}	4 _{-0.20}	30 _{-0.20}	1.5...6

Dimensions in in.

A	B	C	D
0.88 _{-0.01}	0.15 _{-0.007}	1.18 _{-0.007}	0.06...0.23