

STI Thermostat Protector



STI-9110



STI-9100S



STI-9115

PRODUCT OVERVIEW

Molded of polycarbonate material, these protective covers are recommended for areas where abuse to a thermostat is a problem. This may include vandalism, accidental damage or costly, annoying tampering by employees and others. Especially useful where thermostats are located in public areas, the devices are easy to install. STI-9105 and STI-9100 are available in smoke color and clear polycarbonate. Holes in the frame allow air to circulate freely for proper operation of protected thermostats or energy sensors. An interior wall on the frame prevents objects from entering the cover.

THREE YEAR GUARANTEE ON COVER

As all STI polycarbonate covers, these tough units are backed by a three year guarantee against breakage in normal use. The Thermostat Protectors are shipped complete with all mounting hardware.

FEATURES

- Offers excellent protection against tampering, abuse and accidental damage without affecting operation of the thermostat.
- Holes in the frame allow air to circulate freely.
- Easy and quick installation.
- Shipped complete with anchors and screws.
- For flush and surface mounted applications.
- Inner wall construction prevents tampering with dials and levers.
- Spacers available to accommodate exposed conduit.
- Typical working properties of polycarbonate are -40° to 250°F (-40° to 121°C).
- STI-9105 and STI-9100 available in smoke color and clear.
- STI-9100, STI-9102, STI-9105 and STI-9110 models come with a lock and key assembly.
- Aesthetically appealing.
- Three year guarantee against breakage of polycarbonate in normal use.

STI Thermostat Protector

Dimensions and Technical Information

MODELS AVAILABLE

- STI-9100** Thermostat Protector, Mini with key lock - clear
- STI-9100-S** Thermostat Protector, Mini with key lock - smoke color
- STI-9102** Thermostat Protector, Small with 1/4 turn lock - clear
- STI-9105** Thermostat Protector, Small with key lock - clear
- STI-9105-S** Thermostat Protector, Small with key lock - smoke color
- STI-9110** Thermostat Protector, Large with key lock - clear
- STI-9115** Thermostat Protector, Dome shaped - clear

Accessories

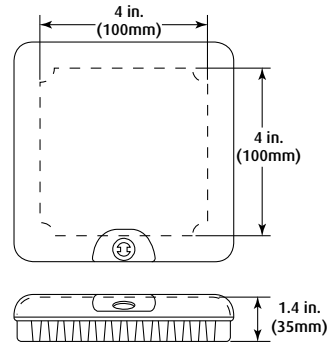
- SUB-901** Clear, 2" Spacer for STI-9105
- SUB-905** Clear, 1 1/4" Spacer for STI-9105
- STI-3100** Clear, 2" Spacer for STI-9110
- 19013** #10 x 1 1/2" Phillips pan-head screw for STI-9110
- 19026** #10 x 2 1/2" Phillips pan-head screw for STI-9110 with STI-3100

Related Models Available

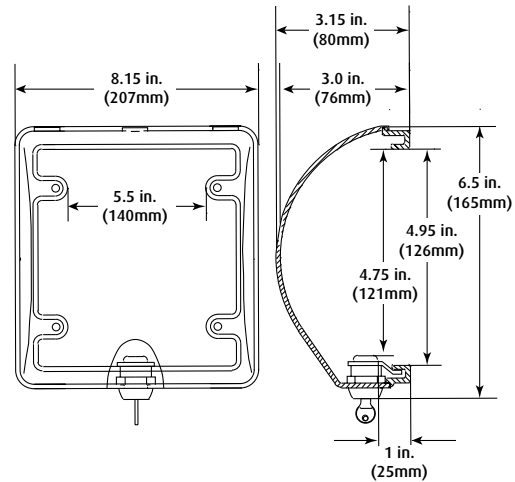
- STI-9115** Thermostat Protector Dome Shaped

WARRANTY

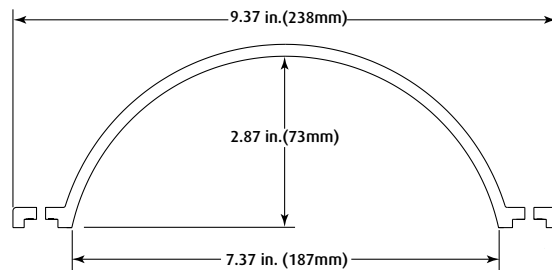
Three year guarantee against breakage of polycarbonate in normal use.



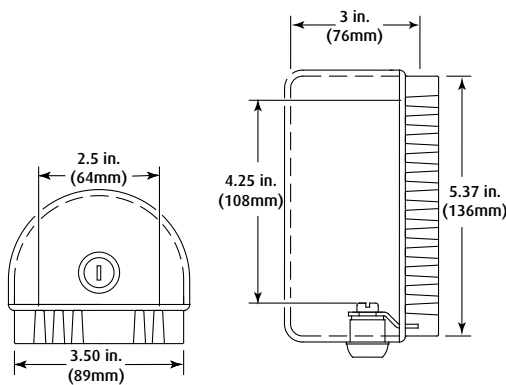
STI-9102



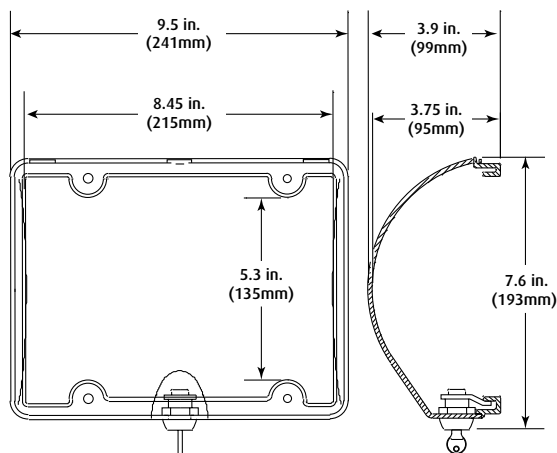
STI-9105



STI-9115



STI-9100S



STI-9110



Safety Technology International, Inc.

2306 Airport Road
Waterford, Michigan
48327, USA

Tel: 248-673-9898
Fax: 248-673-1246
Toll-free: 800-888-4784
info@sti-usa.com
www.sti-usa.com

Unit 49G Pipers Road
Park Farm Industrial Estate
Redditch, Worcestershire
B98 0HU England

Tel: 44 (0) 1527 520 999
Fax: 44 (0) 1527 501 999
Free: 0800 085 1678 (UK)
www.sti-europe.com