

# STI Smoke Detector Damage Stopper®



STI-8230-SS



STI-8200-W



Specific smoke  
detectors only

## PRODUCT OVERVIEW

### Stainless Steel

This heavy-duty, 1.2 mm stainless steel cover features a natural resistance to corrosion. This makes it an excellent choice for any application where food is present as well as use in water treatment plants and correctional facilities. It is available for flush mount (STI-8200-SS) or with an available conduit spacer for surface mount (STI-8230-SS, shown). Easy to install, it helps assure that the smoke detector will remain operational in applications where vandalism and accidental damage are causing false fire alarms or high maintenance costs.

### Coated Cold-Rolled Steel

Here is a protective cover for persons who prefer the strength and durability of steel but need not be concerned with the presence of food in the area. It is fabricated from 1.5 mm cold rolled steel with a white corrosion-resistant polyester coating. As the stainless steel cover, it is available for flush mount (STI-8200-W) or with a spacer for surface mount (STI-8230-W). Surface models include tamper-resistant fasteners for added protection against vandalism. Tamperproof fasteners are available for flush models.

## FEATURES

- Available conduit spacers allow them to be easily mounted over surface mount detectors with or without conduit.
- UL Listed to U.S. and Canadian safety standards for use with specific smoke detectors. See reverse for details.
- Helps assure smoke detectors will be operational when needed.
- Exceptional durability.
- Easy installation and easy removal for servicing detectors.
- Tamper resistant hardware included for surface models.
- Aesthetically pleasing with the choice of stainless steel or coated cold rolled steel.
- Covers protect against severe vandalism and accidental damage.
- Three year guarantee against breakage in normal use.

# STI Smoke Detector Damage Stopper®

Dimensions and Technical Information

## MODELS AVAILABLE

### Stainless Steel (1.2 mm)

- STI-8200-SS** Smoke Detector Damage Stopper - flush mount - stainless steel
- STI-8230-SS** Smoke Detector Damage Stopper with conduit spacer - surface mount - stainless steel

### Cold Rolled Steel coated white (1.5 mm)

- STI-8200-W** Smoke Detector Damage Stopper - flush mount - white coated steel
- STI-8230-W** Smoke Detector Damage Stopper with conduit spacer - surface mount - white coated steel

### Accessories

- SUB-82** Tamper proof stainless steel screws for flush mounted covers
- STI-8170** Polycarbonate mounting backplate
- STI-8201-SS** Stainless steel spacer for conduit applications
- STI-8201-W** Cold rolled steel spacer for conduit applications

## APPROVALS & WARRANTY

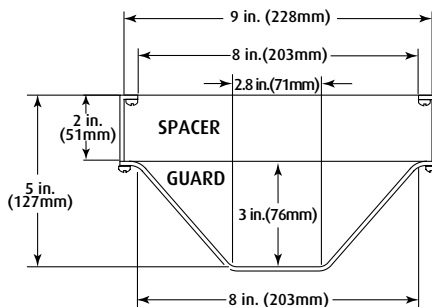
### TESTING

STI-8200 and STI-8230 models are UL Listed (No. S3504) for use with no sensitivity adjustment needed on:

- System Sensor SSD-2251
  - FCI Model ASD-PL
  - Secutron Model MRI-2251
  - EST Model 2251F
  - Honeywell TC806B1001)
- ULC Listed for use with:
- Siemens FP-11C
  - California State Fire Marshal No. 7300-1416101

### WARRANTY

Three year guarantee against breakage in normal use.



PRODUCT DIMENSIONS



**Safety Technology International, Inc.**

2306 Airport Road  
Waterford, Michigan  
48327, USA

Tel: 248-673-9898  
Fax: 248-673-1246  
Toll-free: 800-888-4784  
info@sti-usa.com  
www.sti-usa.com

Unit 49G Pipers Road  
Park Farm Industrial Estate  
Redditch, Worcestershire  
B98 0HU England

Tel: 44 (0) 1527 520 999  
Fax: 44 (0) 1527 501 999  
Free: 0800 085 1678 (UK)  
www.sti-europe.com