

STI Break Glass Stopper[®]



STI-6720

PRODUCT OVERVIEW

What do you do when the keys to your fire alarm system, exit doors, and so forth must be available in an emergency, but you don't want to just hang them on a nail? The inexpensive answer is STI's Break Glass Stopper. Your keys are readily available when necessary, but not too available.

HOW IT WORKS

In order for someone to access the key, they must literally break the glass; and that's something any of us would be hesitant to do without good reason. Altogether, this serves as a very effective deterrent against theft and malicious or wrongful use. Break Glass Stopper is easy to install and installation takes only a couple of minutes.

FEATURES

- An excellent way to protect emergency keys from theft or wrongful use.
- Keys remain visible as well as available in case of an emergency.
- Simple, inexpensive glass replacement (Suggestion: order extra panes with each unit. Item SUB-672).
- Inexpensive, especially when you consider just how valuable it can be to your operation.
- Aesthetically appealing.
- Fast and easy installation.
- Three year guarantee against breakage of the ABS housing during normal use.

STI Break Glass Stopper®

Dimensions and Technical Information

MODELS AVAILABLE

- STI-6720** Break Glass Stopper Keys Under Plexiglas
SUB-672 Replacement Glass for STI-6720

RELATED MODELS AVAILABLE

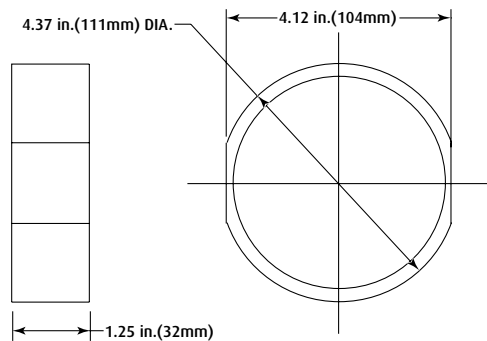
- STI-4100** Fits manual pull stations up to 5 3/8 in. wide x 6 3/4 in. high x 1 1/2 in. deep. (Use Stopper® II spacer STI 3100-R for surface-mounted and larger stations to add 2 in. in depth.)
- STI-6100** For manual stations up to 4 1/8 in. wide x 5 1/4 in. high x 1 1/2 in. deep.
- STI-6700** Generic "Break Glass" unit available for devices other than fire alarm pull stations, etc. Same size as STI-6100. Includes wall mount hanging clip for keys, etc.

INSTRUCTIONS

Break Glass Stopper is an inexpensive yet effective way to keep keys available but not too available. Once base is mounted and keys securely hanging on hook, the cover with glass is snapped into place. The only way to now access the keys is by breaking the front glass. This protective cover will help keep track of important keys. Keep extra panes of glass in stock so after an emergency keys can again be securely displayed with Break Glass Stopper.

WARRANTY

Three year guarantee against breakage of the ABS housing during normal use.



**Safety Technology
International, Inc.**

2306 Airport Road
Waterford, Michigan
48327, USA

Tel: 248-673-9898
Fax: 248-673-1246
Tollfree: 800-888-4784
info@sti-usa.com
www.sti-usa.com

Unit 49G Pipers Road
Park Farm Industrial Estate
Redditch, Worcestershire
B98 0HU England

Tel: 44 (0) 1527 520 999
Fax: 44 (0) 1527 501 999
Free: 0800 085 1678 (UK)
www.sti-europe.com