

## PSA-STARPOINT PSA-VRS M12 with var. Length

Artikel-Nr: 8600400

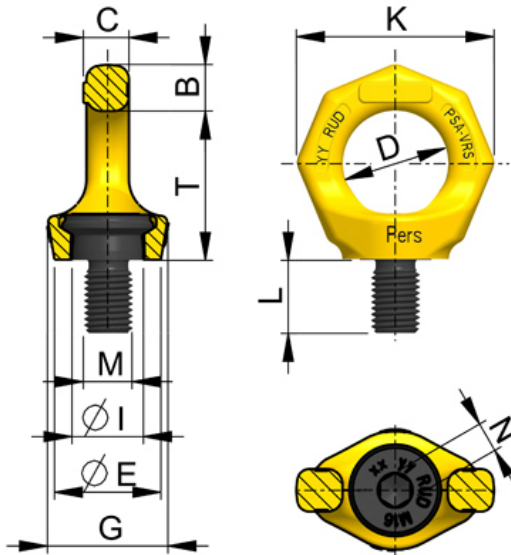


- **Lifting points pivots 360°**
- **They are corresponding to a "anchor point" according to European edict 2016/425** and the DIN 795:2012-10 resp. DIN CEN / TS 16415:2013-4 and they are marked with the number of load bearing persons (=1 or 2 persons).
- **These products are tested by a notified institution of DGUV** (Deutsche Gesetzliche Unfallversicherung) with the evidence of the in OSHA 1926.502: 2001/01 paragraph (d)(15) and DIN EN 50308:2005 chapter 4.5 for lifting points required Forces.
- **Non removable special bolt** (this reduces the risk of improper standard bolts).
- Available as: - Standard Metric Thread (DIN EN 13)
- Quick and easy installation with just one bolt connection.
- Hand tightening with appropriate wrench is sufficient for a singular lift.

Other important RUD specific information and specialities to our RUD lifting points can be found in the specific user instruction.

## PSA-STARPOINT PSA-VRS M12 with var. Length

Artikel-Nr: 8600400



<b>T</b>	42 mm	1-21/32"
<b>B</b>	13 mm	9/16"
<b>C</b>	10 mm	15/32"
<b>D</b>	30 mm	1-3/16"
<b>E</b>	30 mm	1-3/16"
<b>G</b>	34 mm	1-11/32"
<b>I</b>	19,8 mm	3/4"
<b>K</b>	56 mm	2-3/16"
<b>L</b>	19-150 mm	18-150
<b>M</b>	M12 mm	M12
<b>N</b>	8 mm	5/16"