

## Load ring VLBG 4t M27 with variable length H=27-239 mm

Artikel-Nr: 8600387



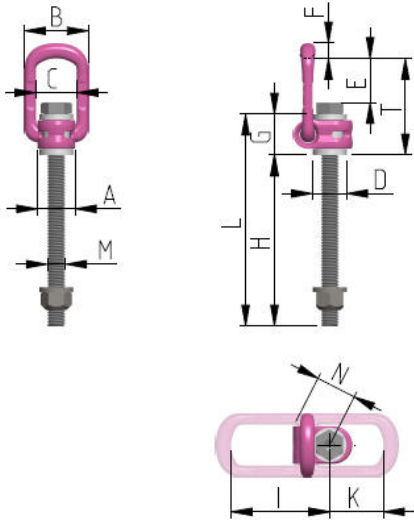
Thread lengths of H= 27-239mm are available. When ordering implicitly indicate the required length.

- **Lifting points pivots 360°. Suspension ring pivots 180°**
- **Captive but exchangeable RUD-Bolt** with special corrosion protection Corrud-DT. Original RUD-Bolt is available as a spare part. Clear marking at the bolt head: RUD, thread size, batchno., class of strength.
- **Clamping spring** works as a noise reduction and holds the suspension ring in the requested position; therefore simple hinge of lifting mean possible respectivley flat design if turned down.
- **Clear marking of the minimum WLL** for all loading directions.
- Available as: - Standard Metric Thread (DIN EN 13) - Metric Fine Thread (DIN EN 13) - Coarse Pitch Thread UNC (ANSI B1.1)
- Variable bolt lengths available for tapped or through holes.
- VLBG corresponds with the test criteria: GS-HM 36
- Quick and easy installation with just one bolt connection.
- Assembly with flat / ring wrench or allen key possible.
- Hand tightening with appropriate wrench is sufficient for a singular lift.
- Please observe torque instructions when lifting point is permanently installed resp. at constant swivelling operations and tilting/ turning actions.
- For permanent installation of the lifting point for through hole fixtures we recommend the securing nut acc. to DIN 980-V (standard distribution, washer included), for variable installations with just one lifting action please use collar nut acc. to DIN 6331 (available upon request).
- For special thread lengths in metric sizes, lock nuts (DIN 980-V crack tested) with washer are available. Collar nuts (DIN 6331, crack inspected) optionally on request.

Other important RUD specific information and specialities to our RUD lifting points can be found in the specific user instruction.

## Load ring VLBG 4t M27 with variable length H=27-239 mm

Artikel-Nr: 8600387



Nominal WLL	4000 kg	8820 lbs
T	147 mm	5-25/32"
A	60 mm	2-3/8"
B	103 mm	4-1/16"
C	65 mm	2-9/16"
D	60 mm	2-3/8"
E	59 mm	2-15/16"
F	22,5 mm	7/8"
G	61 mm	2-13/32"
H	27-239 mm	27-239
I	151 mm	5-15/16"
K	80 mm	3-1/8"
L	88-300 mm	88-300
M	M27 mm	M27
N	67 mm	2-5/8"