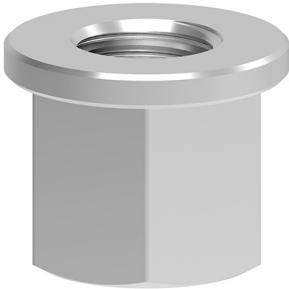


Collar nut M48 DIN6331 Grade 10, crack tested, height: 1.5 x M

Artikel-Nr: 7995589

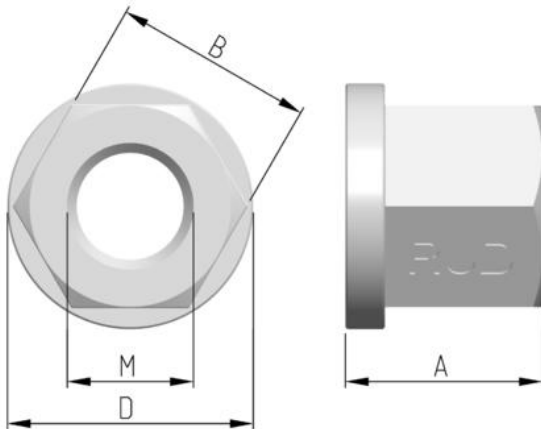


Collar nuts for attachment points that are frequently assembled and disassembled in through bolts.

- 100% crack tested
- Nut height: 1.5 x d
- Finish: galvanised/ zinc-flake coating

Collar nut M48 DIN6331 Grade 10, crack tested, height: 1.5 x M

Artikel-Nr: 7995589



weight	1.87 kg	4.12 lbs
A	72 mm	2-27/32"
B	75 mm	2-15/16"
D	92 mm	3-5/8"
M	M48 mm	M48