

Eye bolt RS-M18X1,5

Artikel-Nr: 50986

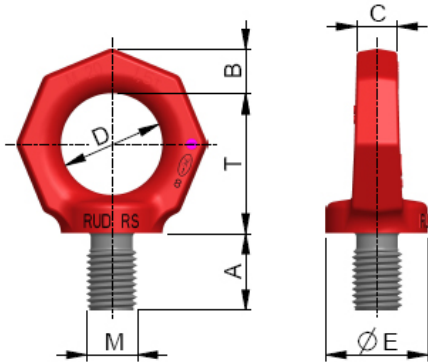


- **Considerably higher WLL** (in comparison to DIN 580/582) at vertical load.
- **Large thread and WLL range** (M6-M48, 0.1 t – 8 t).
- **Clear marking of the minimum WLL for all loading directions**
- Quick and easy installation with just one bolt connection.
- In accordance with the test principles of DGUV GS-HM-36, eyebolts with rigid eyes serve as mounting aids, e.g. on motors and gear units. There is a trade association clearance certificate available for using the high-strength RUD RS eyebolts.

Other important RUD specific information and specialities to our RUD lifting points can be found in the specific user instruction.

Eye bolt RS-M18X1,5

Artikel-Nr: 50986



weight	0.45 kg	0.99 lbs
Nominal WLL	1200 kg	2640 lbs
T	55 mm	2-5/32"
A	30 mm	1-3/16"
B	17 mm	43/64"
C	16 mm	5/8"
D	40 mm	1-9/16"
E	40 mm	1-9/16"
M	M18X1,5 mm	M18X1,5