

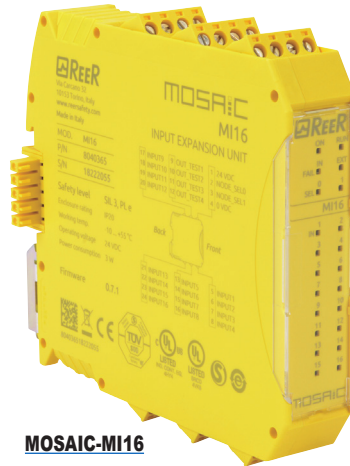
ReeR MOSAIC-MI16 Input Expansion Unit



The ReeR MOSAIC (MODular SAFETY Integrated Controller) MI16 input expansion unit provides 16 digital inputs and four test outputs to monitor short circuits or overloads.

Features

- 16 digital inputs programmable with the Mosaic Safety Designer software
- Four test outputs to monitor short circuits or overloads
- Connection to MOSAIC-M1 or M1S via MSC 5-way ReeR proprietary bus. Bus connector included.
- Removable terminal block plus screw contacts



MOSAIC-MI16

Safety Data per EN 13849-1

| | |
|---------------------------|--------|
| Category | 4 |
| Performance level | e |
| MTTF _d (years) | 30-100 |
| DC _{avg} | High |

Safety Data per IEC/EN 62061, IEC/EN 61508

| | |
|--------------------------|---------------------|
| SIL CL | 3 |
| SIL | 3 |
| HFT | 1 |
| DC _{avg} | High |
| SFF | 99.8% |
| PFH _d (t-20a) | 4.93e ⁻⁹ |

Safety data is dependent on circuit architecture. See manual for further details.

MOSAIC-MI16 Expansion Unit

| Part Number | Price | Voltage | Description | Connection |
|--------------------|----------|---------|---|--|
| MOSAIC-MI16 | \$291.00 | 24VDC | Input expansion unit providing 16 digital safety inputs with 4 test outputs | Removable terminal block, screw contacts |



MOSAIC-MI16 Specifications

| General Specifications | |
|------------------------------------|--|
| Operating Temperature | -10°C to +55°C [14°F to 131°F] |
| Storage Temperature | -20°C to +85°C [-4°F to 185°F] |
| Altitude | 2000m (max) |
| Vibration Resistance | Tested to IEC 60068-2-6 |
| Degree of Protection | IP 20 |
| Housing | Polyamide |
| Weight | 240g [8.47 oz] |
| Agency Approvals and Standard | cULus, CE, TÜV |
| Terminal Designation per EN 50 005 | AWG 12-30 solid/stranded. Use 60/75°C copper (Cu) conductor only. |
| Wire Fixing | Screw pluggable terminal blocks. Terminal tightening torque 5-7 lb•in (0.6-0.7 N•m). |
| Specifications | |
| Nominal Voltage | 24VDC |
| Voltage Range | ± 20% |
| Maximum Consumption | 3W |
| Digital Inputs | 16 PNP active high |
| Input FBK / Reset | - |
| Test Outputs | 4 test outputs to monitor short circuits |
| OSSD Outputs | - |
| Signaling Outputs | - |

Note: See product manual for complete details.

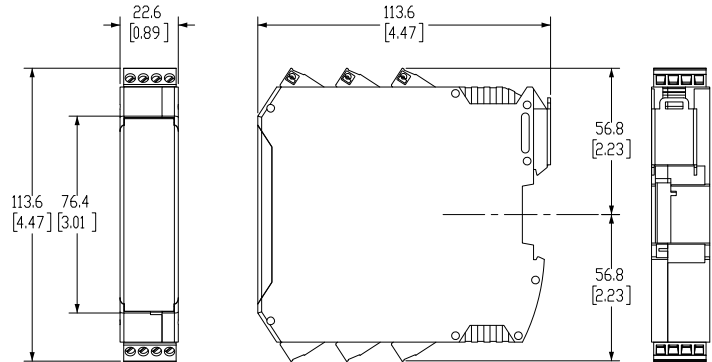
Note: To obtain the most current agency approval information, see the Agency Approval Checklist section on the specific part number's web page.

Electrical Connections to MOSAIC-MI16



- Wire size range: AWG 12-30 (solid/stranded) (UL).
- Use 60/75°C copper (Cu) conductor only.
- Turn off power before making connections.
- The supply voltage must be 24VDC \pm 20% (PELV, in compliance with the standard EN 60204-1 (Chapter 6.4).
- Do not use the MOSAIC to supply external devices.
- The same ground connection (0VDC) must be used for all system components.
- Separate power supplies are recommended for the safety module and for other electrical power equipment (electric motors, inverters, frequency converters) or other sources of disturbance.
- Cables used for connections of longer than 50m [164ft] must have a cross-section of at least 1mm² (AWG16).

Dimensions mm [inches]



MI16 Module Connections

| Terminal | Signal | Type | Description |
|----------|-----------|--------|-------------------------------|
| 1 | 24VDC | – | 24VDC power supply |
| 2 | NODE_SEL0 | Input | Node selection |
| 3 | NODE_SEL1 | Input | |
| 4 | 0VDC | – | 0VDC power supply |
| 5 | INPUT1 | Input | Digital input 1 |
| 6 | INPUT2 | Input | Digital input 2 |
| 7 | INPUT3 | Input | Digital input 3 |
| 8 | INPUT4 | Input | Digital input 4 |
| 9 | OUT_TEST1 | Output | Short circuit detected output |
| 10 | OUT_TEST2 | Output | Short circuit detected output |
| 11 | OUT_TEST3 | Output | Short circuit detected output |
| 12 | OUT_TEST4 | Output | Short circuit detected output |
| 13 | INPUT5 | Input | Digital input 5 |
| 14 | INPUT6 | Input | Digital input 6 |
| 15 | INPUT7 | Input | Digital input 7 |
| 16 | INPUT8 | Input | Digital input 8 |
| 17 | INPUT9 | Input | Digital input 9 |
| 18 | INPUT10 | Input | Digital input 10 |
| 19 | INPUT11 | Input | Digital input 11 |
| 20 | INPUT12 | Input | Digital input 12 |
| 21 | INPUT13 | Input | Digital input 13 |
| 22 | INPUT14 | Input | Digital input 14 |
| 23 | INPUT15 | Input | Digital input 15 |
| 24 | INPUT16 | Input | Digital input 16 |

Please see the Reer MOSAIC Supplemental Manual for basic wiring examples.

MOSAIC



MODULAR SAFETY INTEGRATED CONTROLLER

The MOSAIC system is a unique safety controller that's modular, expandable and configurable for managing all safety functions of a single machine or an entire plant. It offers cost reductions with minimal wiring.

COMMS



MOSAIC-MBEI

Industrial Fieldbus:
EtherNet/IP.

MOSAIC-MBEM

Industrial Fieldbus:
ModBus TCP/IP.

DIGITAL INPUTS



MOSAIC-MI8

8 digital inputs and four
test outputs.

MOSAIC-MI16

16 digital inputs and
4 test outputs.

MOSAIC-MI12T8

12 digital inputs, 8 test outputs.

I/O EXPANSION UNIT



MOSAIC-MI8O2

8 digital inputs, 2 EDM/
RST inputs, 4 test outputs,
2 OSSD pairs, and 2 status
outputs.

MOSAIC-MI8O4

8 digital inputs, 4 test outputs,
4 individual or 2 pair OSSD outputs,
and 4 configurable I/O.

SPEED MONITORING

MOSAIC-MV0

2 proxy switch inputs.

MOSAIC-MV1T

1 TTL encoder and
2 prox switch inputs.

MOSAIC-MV1H

1 HTL encoder and 2 prox switch inputs.

MOSAIC-MV1S

1 SIN/COS encoder and 2 prox switch inputs.

MOSAIC-MV2T

2 TTL encoder and 2 prox switch inputs.

MOSAIC-MV2H

2 HTL encoder and 2 prox switch inputs.

MOSAIC-MV2S

2 SIN/COS encoder and 2 prox switch inputs.

MOSAIC SYSTEM (MOSAIC M1 / M1S)



MOSAIC M1 or M1S controller units are able to interface with up to 14 individual expansion modules (up to a maximum of 4 of any one module type). Controller units can also be used in a stand-alone configuration.

Blue-highlighted modules work only with the MOSAIC-M1S controller.

SAFETY RELAYS

MOSAIC-MR2

2 relays – 2 NO + 1 NC connectable to 1 OSSD pair + 1 NC contact for external device monitoring. 2 safety relays with guided contacts. Screw contacts.



MOSAIC-MR4

4 relays – 4 NO + 2 NC connectable to 2 OSSD pair + 2 NC contacts for external device monitoring. 4 safety relays with guided contacts. Screw contacts.

These extension relays can connect to the outputs on the MOSAIC M1, M1S, or to any of the output cards

DIGITAL OUTPUTS

MOSAIC-MO2

2 EDM/RST inputs, 2 OSSD pairs and 2 status outputs.



MOSAIC-MO4

4 EDM/RST inputs, 4 OSSD pairs and 4 status outputs.

MOSAIC-MOR4

4 single-channel outputs or 2 dual-channel outputs.

MOSAIC-MOR4S8

4 single-channel outputs or 2 dual-channel outputs with 8 status outputs.

MOSAIC-MO4L

4 individual or 2 pair OSSD outputs,
and 4 configurable I/O.

ANALOG INPUTS

MOSAIC-MA4

4 analog inputs.



STATUS OUTPUTS

MOSAIC-MOS8

8 status outputs.

MOSAIC-MOS16

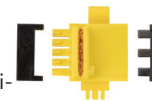
16 status outputs.



ACCESSORIES

MOSAIC-MSC-C

Safety communication bus connector and terminal end caps. Required to connect additional module to [MOSAIC-M1](#) or [MOSAIC-M1S](#).



MOSAIC-CSU

Type A USB to Mini-USB cable connects MOSAIC M1 or M1S to PC for configuration with MSD configuration software.



MOSAIC-MCM

A proprietary removable memory card that can be used to save MOSAIC configuration data for subsequent transfer to a new device without using a PC.



Safety Products



Warning: Safety products sold by AutomationDirect are Safety components only. The purchaser/installer is solely responsible for the application of these components and ensuring all necessary steps have been taken to assure each application and use meets all performance and applicable safety requirements and/or local, national and/or international safety codes as required by the application. AutomationDirect cannot certify that our products, used solely or in conjunction with other AutomationDirect or other vendors' products, will assure safety for any application. Any person using or applying any products sold by AutomationDirect is responsible for learning the safety requirements for their individual application and applying them, and therefore assumes all risks, and accepts full and complete responsibility, for the selection and suitability of the product for their respective application.

AutomationDirect does not provide design or consulting services, and cannot advise whether any specific application or use of our products would ensure compliance with the safety requirements for any application.