

# Hand Crank Welding Cable Reels



Up to 175" of 2/0 cable

- Designed for manual winding of welding cable
- Ideal for applications where space, weight, and flexibility are key
- Offer trouble-free management of large capacities of cable
- Glass-filled nylon spools are very strong and durable while ensuring that no conductivity occurs
- A substantial welded aluminum base is used to support the weight of the spool
- Oversized bearings – heavy duty shaft with tapered roller bearings offer high rigidity and spool support



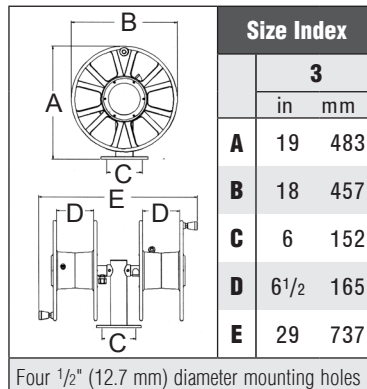
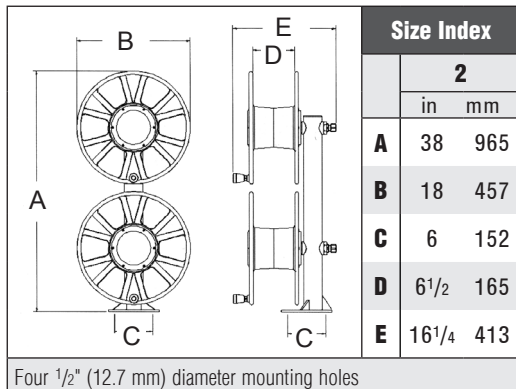
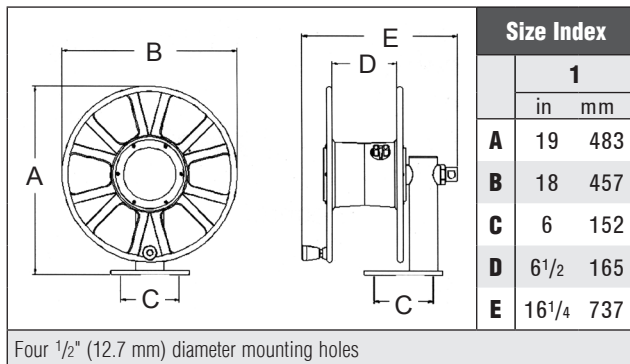
Side-by-side combinations  
T-2462-0



Stacked combinations  
T-2464-0



Single welding  
T-1460-0



Model without cable	Cable Size				Volts	Amps	Shipping Weight		Size Index #		
	#1 (42 mm <sup>2</sup> )	1/0 (54 mm <sup>2</sup> )	2/0 (67 mm <sup>2</sup> )				lbs	kg			
	ft	m	ft	m							
<b>Single Welding Cable</b>											
T-1460-0	250	76	200	61	175	53	600	300	32	15	1
<b>Dual Side-by-Side Welding Cable (2)</b>											
T-2462-0	250	76	200	61	175	53	600	250	51	23	3
<b>Dual Stacked Welding Cable (2)</b>											
T-2464-0	250	76	200	61	175	53	600	250	62	28	2

For indoor non-weathertight applications only. Capacity is per spool for dual reels.

**Interactive Reel Catalog**  
Visit [reelcraft.com/catalog](http://reelcraft.com/catalog) for complete product specifications, parts, and accessories.