


Light Cord Reels

Model with cord & bumper	Cord Ending	Cord Specifications					Volts	Amps	Shipping Weight		Size Index #	
		AWG	mm ²	# Cond	ft	m			Type*	lbs		kg
L 4035 163 10	LED lamp w/ outlet, Inlet straight blade plug NEMA 5-15P	16	1.33	3	35	11	SJTOW	125	12	26	12	1
L 4050 163 10	LED lamp w/ outlet, Inlet straight blade plug NEMA 5-15P	16	1.33	3	50	15	SJTOW	125	12	28	13	1


For indoor non-weathertight applications only. All models UL listed at 125 Volt 60 HZ single phase. Swing brackets or pivot bases should be used if cords are pulled at more than 45°, see page 39. *Equivalent cord type may be used.



L 4050 163 10

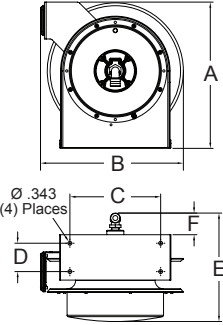



#10 - LED Light (930 lumens)
Two ultra-high intensity 4-watt LEDs; Single 3-watt end spot light; Polycarbonate shatter-resistant light tube; In-line tool tap, NEMA 5-15R configuration maximum 12 amp draw

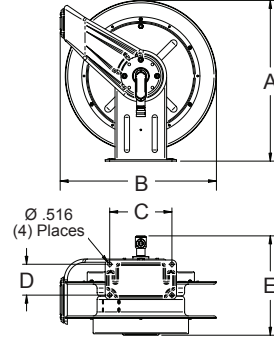


Pivot Bases & Swing Brackets
See page 39

- All Series L 4000, L 5000, and L 70000 reel models supplied with cord are complete with a 4-5 foot pigtail and three-prong plug or receptacle (except flying lead reels)
- Compact design
- Durable abrasion and corrosion resistant baked-on powder coat finish



Dimensions - Size Index								
	1		2		3		4	
	in	mm	in	mm	in	mm	in	mm
A	12 ⁷ / ₈	327	14 ³ / ₈	365	17 ⁵ / ₈	448	17 ⁵ / ₈	448
B	12 ⁵ / ₈	321	14 ¹ / ₄	362	16 ³ / ₄	425	16 ³ / ₄	425
C	8	203	9 ³ / ₄	248	9 ³ / ₄	248	9 ³ / ₄	248
D	2 ¹ / ₂	64	2 ¹ / ₂	64	2 ¹ / ₂	64	2 ¹ / ₂	64
E	9 ³ / ₈	239	10 ¹ / ₂	267	10 ¹ / ₂	267	12 ¹ / ₂	318
F	1 ³ / ₄	44	2 ¹ / ₈	54	2 ¹ / ₈	54	2 ¹ / ₈	54



Dimensions - Size Index						
	5		6		7	
	in	mm	in	mm	in	mm
A	20 ¹ / ₄	514	20 ¹ / ₄	514	20 ¹ / ₄	514
B	19 ³ / ₄	502	19 ³ / ₄	502	19 ³ / ₄	502
C	7 ¹³ / ₁₆	198	7 ¹³ / ₁₆	198	7 ¹³ / ₁₆	198
D	3 ⁷ / ₈	98	3 ⁷ / ₈	98	3 ⁷ / ₈	98
E	11 ³ / ₄	298	12 ¹ / ₂	318	14 ⁵ / ₈	371

NEMA 4 Power Cord Reels

- NEMA 4 rating provides protection against water or dust, indoor and out
- Cast aluminum construction with yellow powder coat finish
- Large, easy to access junction box
- One inch (NPT) pipe thread opening provided for conduit inlet
- Guide arm is adjustable every 5° over a 270° arc
- Containerized drive spring allows for safer, easier maintenance



L NM445 144 X

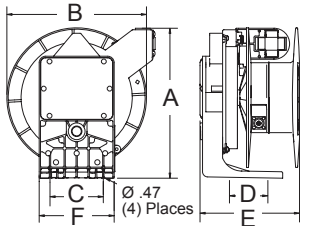


Interactive Reel Catalog

Visit reelcraft.com/catalog for complete product specifications, parts, and accessories.



Dimensions						
	A	B	C	D	E	F
in	14 ¹ / ₂	13 ¹ / ₂	4 ⁷ / ₁₆	3 ¹ / ₁₆	9 ⁵ / ₈	7 ¹ / ₄
mm	368	343	113	78	244	184



Model with cord & bumper	Cord Ending	Cord Specifications					Volts	Amps	Shipping Weight		
		AWG	mm ²	# Cond.	ft	m			Type	lbs	kg
L NM450 163 X	Flying Lead	16	1.31	3	50	15	SOW	600	9	43	20
L NM445 144 X		14	2.08	4	45	14	SOW	600	11	50	23
L NM450 123 X		12	3.31	3	50	15	SOW	600	18	50	23

All models UL listed at 125 Volt 60 HZ single phase. One inch (NPT) pipe thread opening provided for conduit inlet.