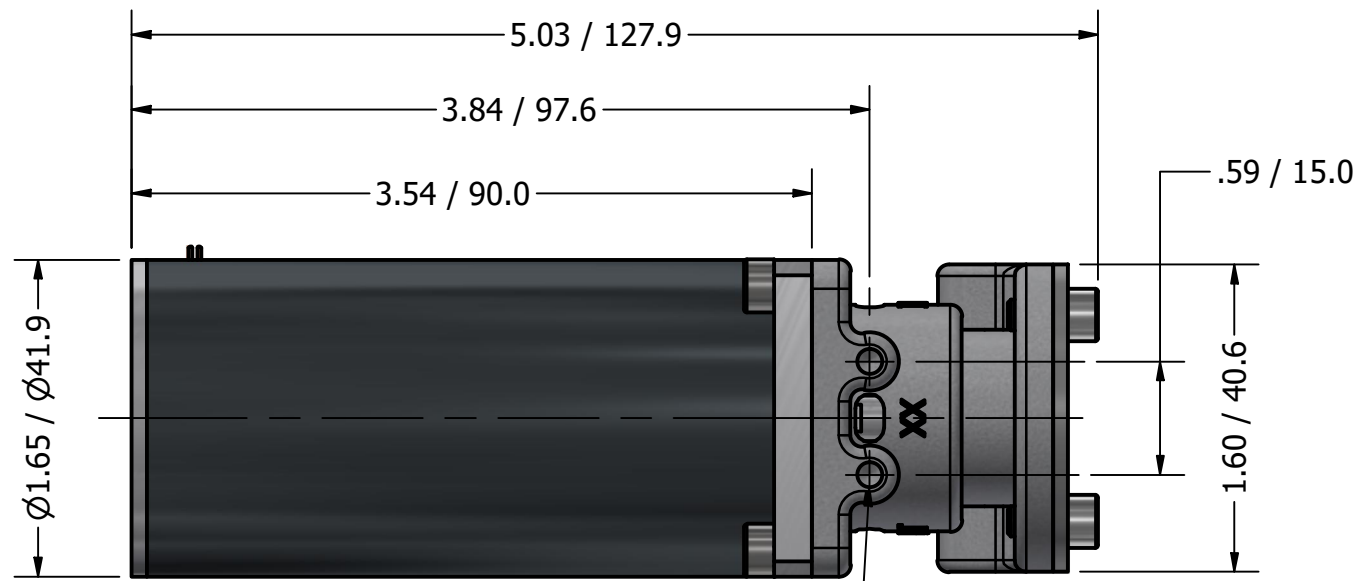
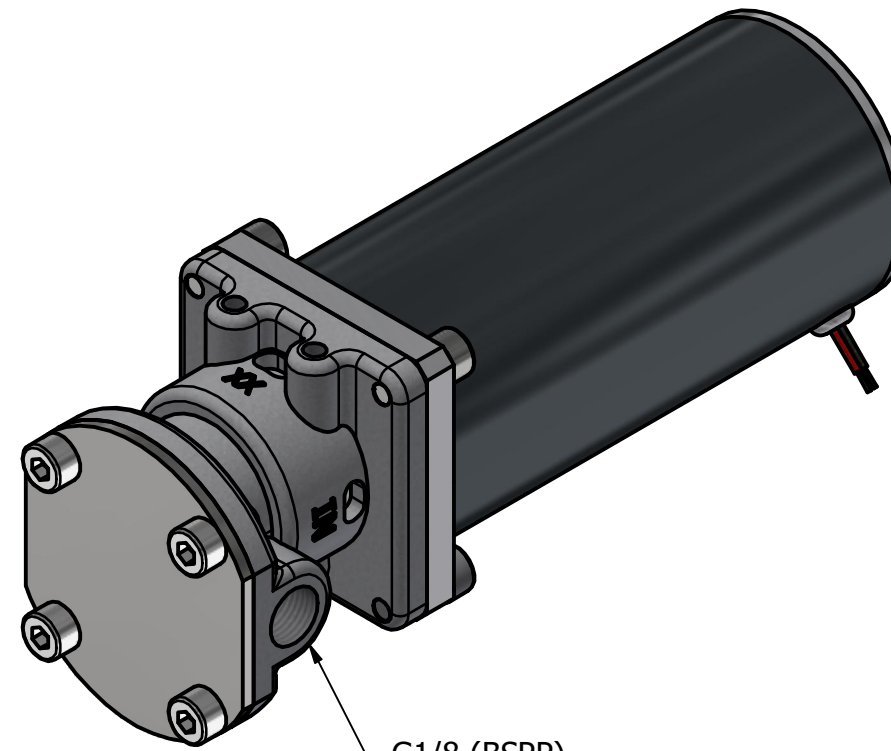


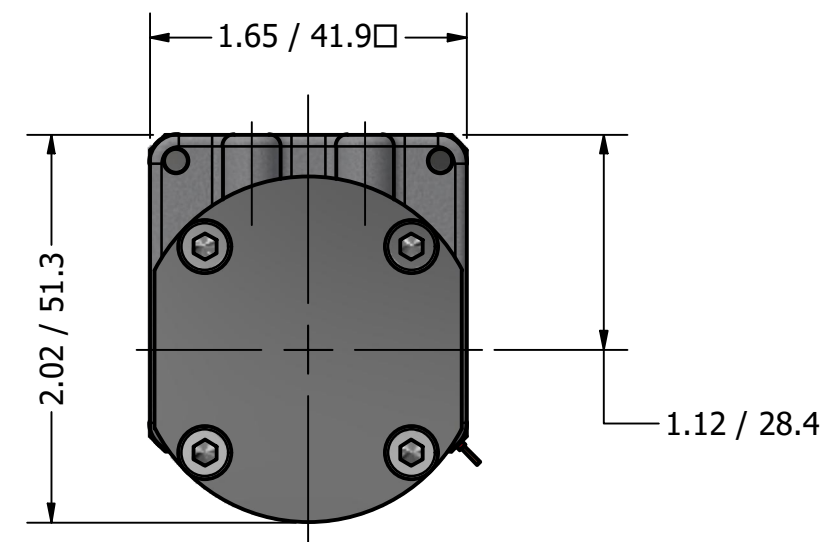
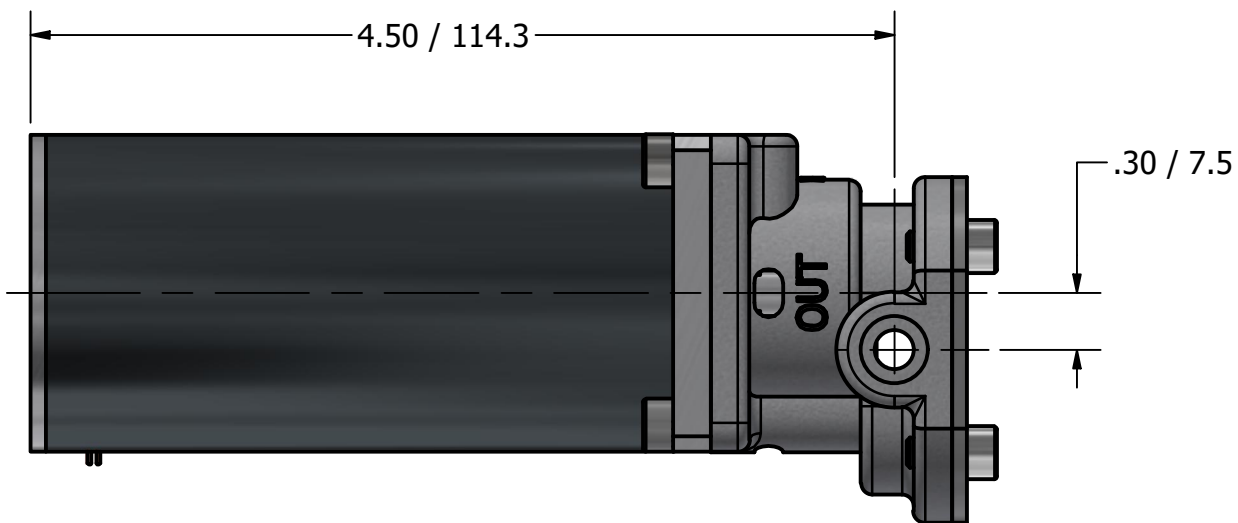
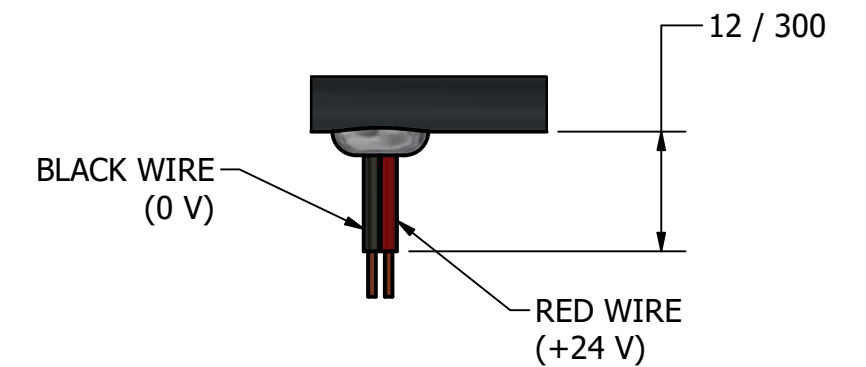
**MICRO GEAR PUMP  
60 WATT MOTOR  
G1/8 (BSPP) PORTS**



M4 X 0.7 X .236±.01 / 5.99±0.3 DEEP  
2 PLCS



G1/8 (BSPP)  
INLET/OUTLET PORTS



# 10mm SPUR GEAR PUMP WITH 24V/20W 30W 40W 60W BRUSHED DC MOTOR

