

SPECIFICATIONS

[General Specifications]

Product Name		USB Controlled Multicolor Signal Beacon			
Model		NE-SN-USB	NE-ST-USB	NE-WN-USB	NE-WT-USB
Rated Voltage		5V DC(USB Bus Power)			
Operating Voltage Range		Rated Voltage $\pm 5\%$ (Compliant with USB 2.0 standard)			
Rated Current Consumption	Max.	205mA	215mA	170mA	180mA
	Environmental Condition	Luminous Color: White Buzzer: Buzzer Pattern 「No.1 Continuous」,Volume Level「Max」			
Operating Ambient Temperature		-20°C to +50°C		-25°C to +60°C	
Operating Ambient Humidity		Less than 90% (No condensation)			
Storage Ambient Temperature		-20°C to +50°C		-25°C to +60°C	
Storage Ambient Humidity		Less than 90% (No condensation)			
Mounting Location		Indoor			
Mounting Direction		All Directions		All Directions (Upright only if waterproofness is necessary.)	
Protection Rating		IP20		IP65	
	Environmental Condition	All Directions		Upright (IP20 except for upright)	
Insulation Resistance		More than 5Mohm at DC500V between live part and non-current carrying metallic part			
Withstand Voltage		500VAC for 1min between live part and non-current carrying metallic part without breaking insulation			
Buzzer	Sound Pressure Level	Typ. 65dB		Typ. 85dB	
	Environmental Condition	Front direction from the surface/at 0.5m Buzzer Pattern 「No.2 Sweep Sound」		Front direction from the surface/at 1m Buzzer Pattern 「No.2 Sweep Sound」	
	Volume change Levels	10 levels (None ... Max)			
Luminous Color		Red / Amber /Green / Blue / Cyan / Purple / White			
Touch Sensor input method		-	Electrostatic Capacitance	-	Electrostatic Capacitance
Mass (Tolerance $\pm 10\%$)		0.075 kg		0.068 kg	
		(Without accessories)			
Outer Dimensions		Refer to the Outer Dimension Drawing			
Communication Method		USB2.0 Full Speed (Device Class: HID)			
Supported OS		Windows(DLL) / Mac / Linux (Download from the Homepage)			
Conformity Standards	CSA C22.2 No.62368-1, UL62368-1(File No.E480103)				
	EN 55032,EN 55035				
	EN IEC 63000				
	KS C 9832,KS C 9835				
	FCC Part15 Subpart B Class B				
	ICES-003 Class B				

Drawing No.	Rev.	Page
NE-USB-W18	C	2/4

Remarks	<ul style="list-style-type: none"> ▪ Due to the characteristics of the LED elements, a variation in difference of the color tone and brightness of every product may occur. ▪ Conforms to the CE requirements ▪ Conforms to the UKCA requirements
---------	--

[Accessories]

Model	NE-SN-USB	NE-ST-USB	NE-WN-USB	NE-WT-USB
Accessories	Anti-slip Sheet		Waterproof Sheet	

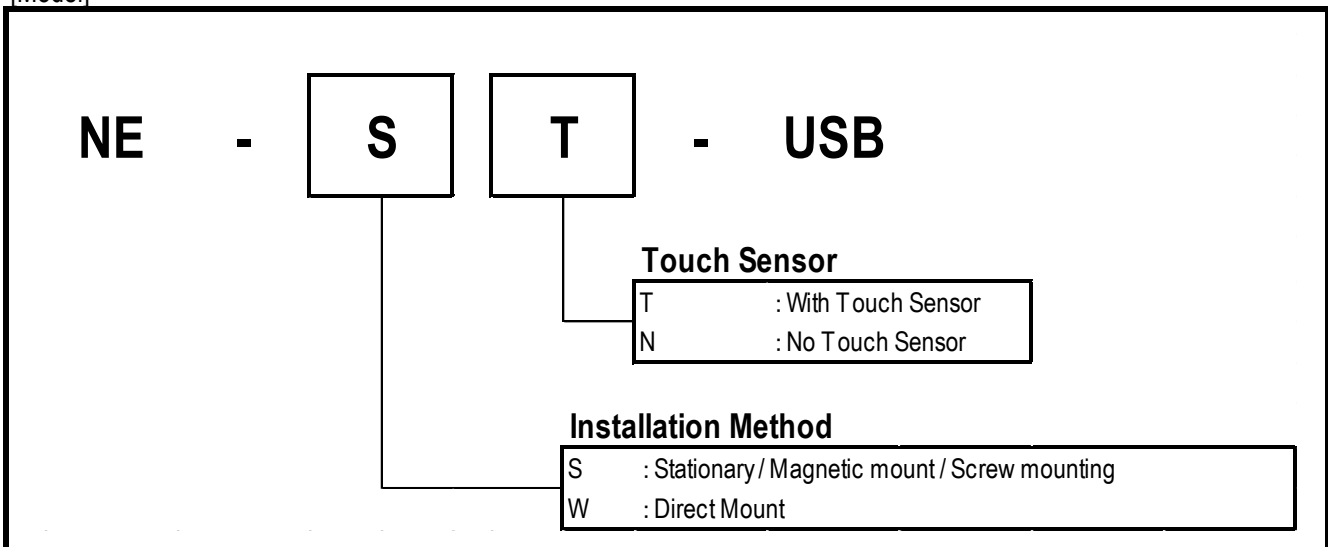
[Installation Method]

Model	NE-SN-USB	NE-ST-USB	NE-WN-USB	NE-WT-USB
Magnetic mount	Yes		No	
Screw mounting(1/4 UNC thread)	Yes		No	
2-point hole mounting	No		Yes	
Option	NE-001D	No	Yes	
	NE-002D	No	Yes	
	SZP-092D	No	Yes	

[Cable connection direction]

Model	NE-SN-USB	NE-ST-USB	NE-WN-USB	NE-WT-USB
Cable connection direction	Side		Bottom	

[Model]



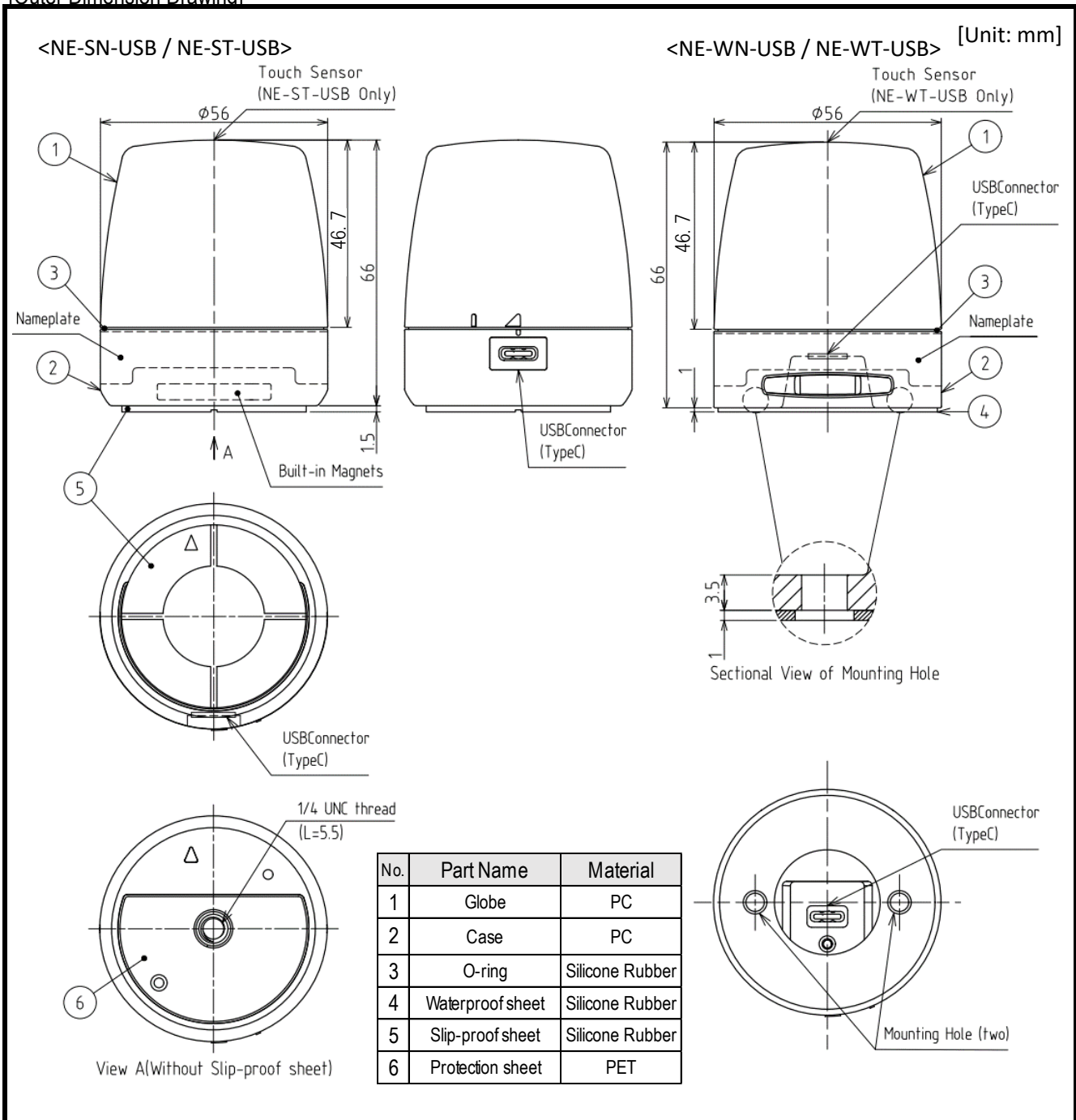
[LED Control]

Item	Detail				
LED OFF	Turns off the LED. This is the state immediately after power-on.				
Continuation LED ON	Turns the LED on, and keeps it on.				
LED Pattern ON	Specify one of 6 types of LED patterns to illuminate the LED. Operation of LED patterns for one cycle is shown in the following timing charts.				
No.1	<table border="1"> <tr> <td>ON (250ms)</td> <td>OFF (250ms)</td> <td>ON (250ms)</td> <td>OFF (250ms)</td> </tr> </table>	ON (250ms)	OFF (250ms)	ON (250ms)	OFF (250ms)
ON (250ms)	OFF (250ms)	ON (250ms)	OFF (250ms)		
No.2	<table border="1"> <tr> <td>ON (500ms)</td> <td>OFF (500ms)</td> </tr> </table>	ON (500ms)	OFF (500ms)		
ON (500ms)	OFF (500ms)				
No.3	<table border="1"> <tr> <td>ON (80ms)</td> <td>OFF (170ms)</td> <td>ON (80ms)</td> <td>OFF (670ms)</td> </tr> </table>	ON (80ms)	OFF (170ms)	ON (80ms)	OFF (670ms)
ON (80ms)	OFF (170ms)	ON (80ms)	OFF (670ms)		
No.4	<table border="1"> <tr> <td>ON (100ms)</td> <td>OFF (400ms)</td> <td>ON (100ms)</td> <td>OFF (400ms)</td> </tr> </table>	ON (100ms)	OFF (400ms)	ON (100ms)	OFF (400ms)
ON (100ms)	OFF (400ms)	ON (100ms)	OFF (400ms)		
No.5	<table border="1"> <tr> <td>ON (120ms)</td> <td>OFF (880ms)</td> </tr> </table>	ON (120ms)	OFF (880ms)		
ON (120ms)	OFF (880ms)				
No.6	<table border="1"> <tr> <td>Gradation (500ms)</td> <td>Gradation (500ms)</td> </tr> </table>	Gradation (500ms)	Gradation (500ms)		
Gradation (500ms)	Gradation (500ms)				

[Buzzer Control]

Item	Detail
Buzzer OFF	Turns off the Buzzer. This is the state immediately after power-on.
Buzzer Pattern ON	Specify one of 7 types of sound patterns to play the Buzzer. Select either continuous operation or specified number of times (1-14). One operation is one cycle.
No.1	Continuous Sound (Continuous)
No.2	Sweep Sound (Sweep Sound)
No.3	Rapid Intermittent Beep (Call Sign)
No.4	Rapid Intermittent Beep (Low Urgency Alarm) ※The sound complies with ISO 24501 (JIS S 0014).
No.5	Rapid Intermittent Beep (High Urgency Alarm) ※The sound complies with ISO 24501 (JIS S 0014).
No.6	Twinkle Twinkle Little Star (Melody Sound)
No.7	London Bridge is Broken Down (Melody Sound)

[Outer Dimension Drawing]



[Installation Dimension Drawing]

