

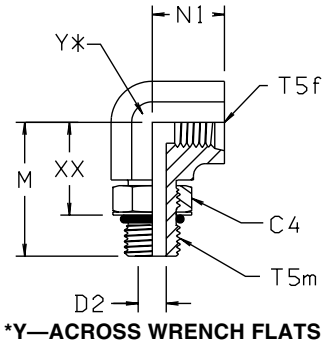
Straight Thread Elbow

AOEG5

Straight thread O-ring / female SAE straight thread

Part Number Information
AEG5 - Body only
AOEG5 - Assembled with O-ring

All dimensions are in inches



TUBE FITTING PART #	HOSE FITTING PART #	T5m PORT THD UN/UNF-2A	T5f PORT THD UN/UNF-2B	C4 HEX (inch)	D2 DRILL	M (inch)	N1 (inch)	XX AFTER ASSY (inch)	Y (inch)	STANDARD MATERIAL FROM STOCK		
										S	SS	B
4 AOEG5	2510-4-4	7/16-20	7/16-20	9/16	0.172	1.23	0.63	0.84	3/4	•		
6 AOEG5	2510-6-6	9/16-18	9/16-18	11/16	0.297	1.38	0.75	0.96	7/8	•		
8 AOEG5	2510-8-8	3/4-16	3/4-16	7/8	0.391	1.59	0.88	1.10	1 1/16	•		
10 AOEG5	2510-10-10	7/8-14	7/8-14	1	0.484	1.81	1.02	1.25	1 1/16	•		
12 AOEG5	2510-12-12	1 1/16-12	1 1/16-12	1 1/4	0.609	2.00	1.21	1.35	1 5/16	•		
16 AOEG5	2510-16-16	1 5/16-12	1 5/16-12	1 1/2	0.844	2.26	1.33	1.61	1 5/8	•		



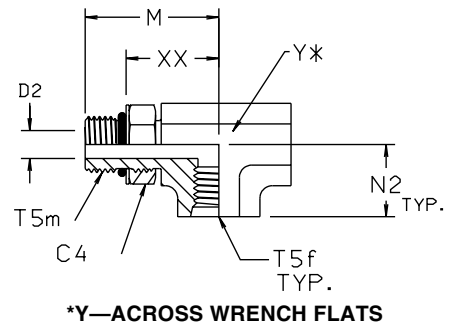
Straight Thread Run Tee

AOG5JG5

Straight thread O-ring / female SAE straight thread

Part Number Information
AG5JG5 - Body only
AOG5JG5 - Assembled with O-ring

All dimensions are in inches



TUBE FITTING PART #	T5m PORT THD UN/UNF-2A	T5f PORT THD UN/UNF-2B	C4 HEX (inch)	D2 DRILL (inch)	M (inch)	N2 (inch)	XX AFTER ASSY (inch)	Y (inch)	STANDARD MATERIAL FROM STOCK		
									S	SS	B
4 AOG5JG5	7/16-20	7/16-20	9/16	0.172	1.23	0.74	0.84	3/4	•		
6 AOG5JG5	9/16-18	9/16-18	11/16	0.297	1.38	0.86	0.96	7/8	•		
8 AOG5JG5	3/4-16	3/4-16	7/8	0.391	1.59	1.03	1.10	1 1/16	•		
10 AOG5JG5	7/8-14	7/8-14	1	0.484	1.81	1.18	1.25	1 1/16	•		
12 AOG5JG5	1 1/16-12	1 1/16-12	1 1/4	0.609	2.00	1.39	1.35	1 5/16	•		
16 AOG5JG5	1 5/16-12	1 5/16-12	1 1/2	0.844	2.25	1.52	1.60	1 5/8	•		