

NAUTILAIR

Model: 150532-54

MECHANICAL

DIAMETER: 12.3" (312mm)
DISCHARGE TYPE: Tangential
DISCHARGE: Standard Rectangular Flange
APPROXIMATE WEIGHT: 28lbs/12.7kg

PERFORMANCE

FLOW CLASSIFICATION: Standard Output
STAGES: 1 Stage

TEMPERATURE

OPERATING TEMP: 0°C to 50°C
STORAGE TEMP: -40°C to 85°C

ELECTRICAL

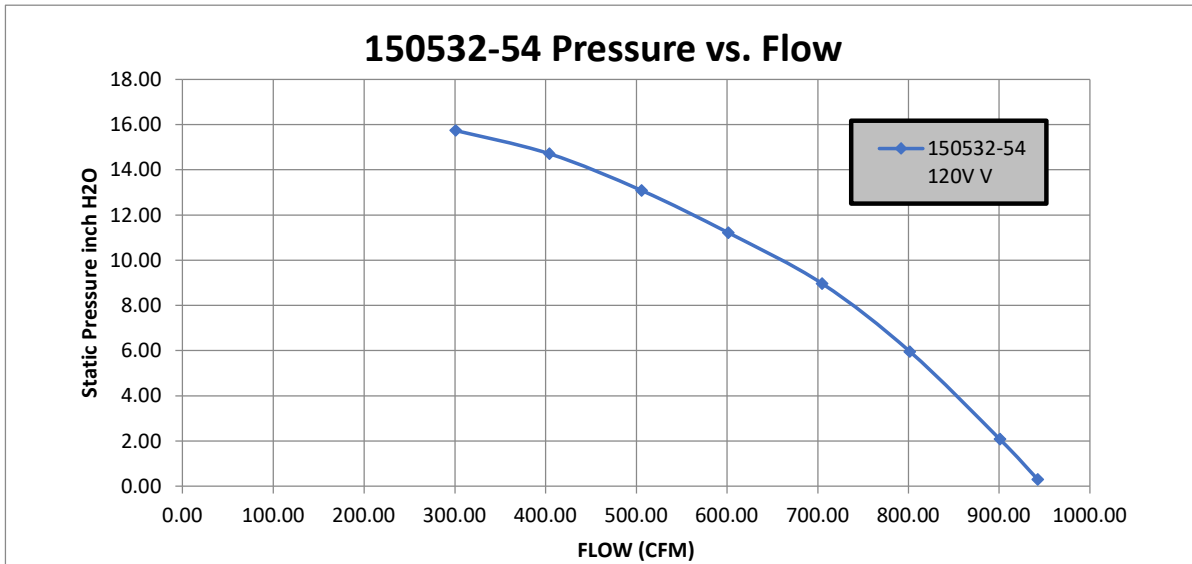
OPERATING INPUT VOLTAGE: RANGE: 110-120 VAC
OPERATING INPUT VOLTAGE: 120V

OPTIONAL FEATURES

SPEED CONTROL: PWM Pull Up, Open Loop, 3-Pin Power, 5-Pin Control

REGULATORY CERTIFICATIONS

COMPLIANCE: RoHS and Reach
UL FILE NUMBER: E94403
AGENCY FULL LOAD AMPS: 23A



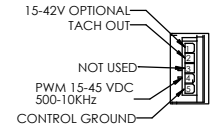
Flow Rate <i>cfm</i>	Static Pressure <i>inch H2O</i>	Total Pressure <i>inch H2O</i>	Current <i>A</i>	Power Demand <i>W</i>	Voltage <i>V</i>	Flow Temp. <i>°C</i>	Rotational Speed <i>rpm</i>	Static Efficiency <i>%</i>	Total Efficiency <i>%</i>
942.37	0.30	0.76	20.24	1809.50	120V	23.20	5730	1.87	4.67
900.74	2.08	2.49	19.94	1782.71	120V	23.49	5820	12.42	14.90
801.41	5.96	6.29	19.10	1691.24	120V	23.85	6030	33.43	35.27
704.90	8.96	9.22	18.19	1601.82	120V	24.15	6270	46.72	48.05
601.33	11.21	11.40	17.13	1504.24	120V	24.48	6570	53.13	54.01
505.83	13.08	13.21	16.24	1417.21	120V	24.85	6870	55.39	55.94
404.09	14.71	14.80	15.34	1323.60	120V	25.47	7200	53.38	53.68
301.19	15.73	15.78	14.37	1230.11	120V	26.13	7620	45.86	46.00

WARNING

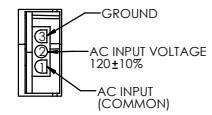
DESIGN APPLICATION: Designed to provide variable airflow for low NOx and CO emission in high efficiency gas fired combustion systems. Built with non-sparking materials. Blower housing assembly constructed of die cast aluminum. Impeller constructed from hardened aluminum. Rubber isolation mounts built into blower construction to dampen vibration within the motor. Two-piece blower housing assembly sealed, and factory leak checked. Customer is responsible to check for any leakage once the blower is installed into the final application.

MISCELLANEOUS: Motor cooling inlet and discharge vents must not be obstructed. Motor ventilation air to be free of oils and other foreign particles. Blower is to be mounted so ventilation air cannot be re-circulated.

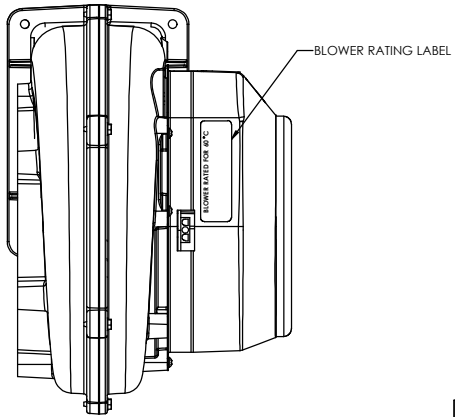
- NOTES:
1. ROHS AND REACH COMPLIANCE. REFERENCE AMETEK ENVIRONMENTAL SPECIFICATION ES0010 FOR DETAILS.
 2. POWER/SPEED CONTROL PORT MATES WITH:
AMP HOUSING -350766-1
CONTACT SOCKETS -350550-3 (LOOSE) 350536-3 (STRIP) ON 14Ga., 125°C, 600V RATED WIRE
 3. SPEED CONTROL PORT:
MOLEX HOUSING: 39-01-4051
CONTACT: 39-00-0208 (REEL)
 4. ALL INTAKE, EXHAUST, COOLING DUCTS AND VENTS MUST NOT BE OBSTRUCTED BY MOUNTING.
 5. MOTOR VENTILATION AIR TO BE FREE OF OILS AND OTHER FOREIGN PARTICLES, (I.E. BREATHING QUALITY AIR). BLOWER TO BE MOUNTED SO THAT MOTOR VENTILATION AIR CANNOT RECIRCULATE.
 6. TACH OUTPUT-2 PULSES PER REVOLUTION. SIGNAL IS A FREQUENCY (Hz) INDICATOR OF THE RPM CAN BE MEASURED WITH RESPECT TO GROUND (PIN 5). RPM=TACH. OUT x 30.



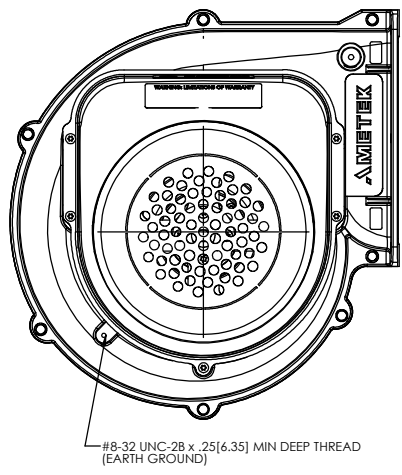
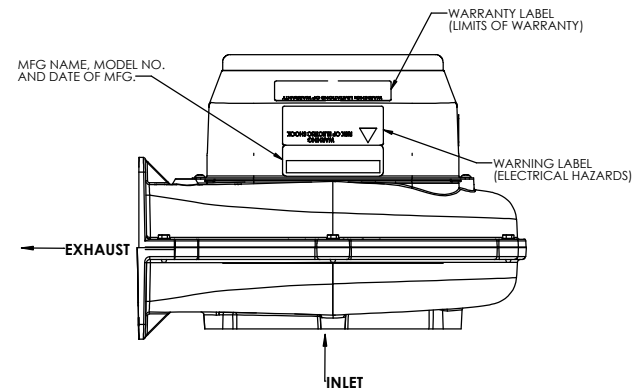
SECTION A-A
SCALE 1 : 1
CONTROL PORT



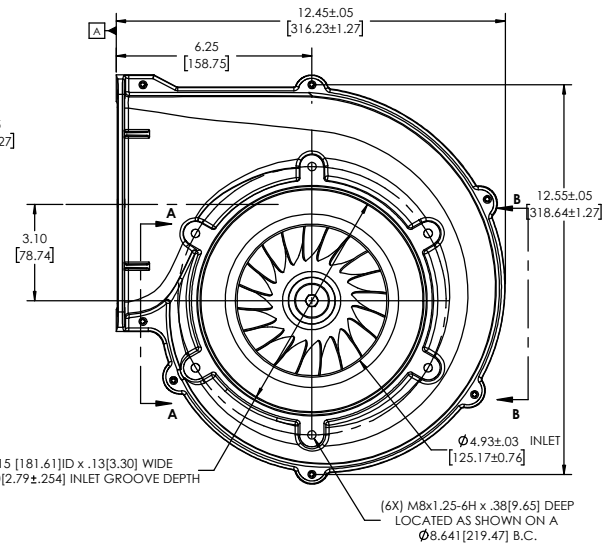
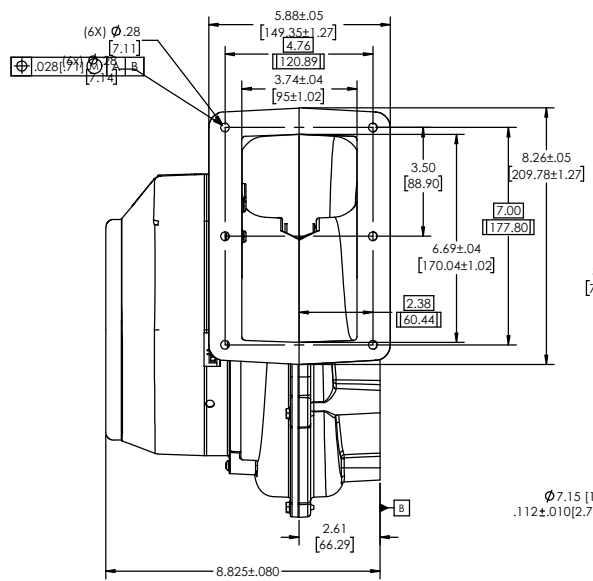
SECTION B-B
SCALE 1 : 1
POWER PORT



BLOWER RATING LABEL



#8-32 UNC-2B x .25[6.35] MIN DEEP THREAD (EARTH GROUND)



Ø7.15 [181.61] ID x .13[3.30] WIDE .112±.010 [2.79±.254] INLET GROOVE DEPTH

(6X) M8x1.25-6H x .38[9.65] DEEP LOCATED AS SHOWN ON A Ø8.641 [219.47] B.C.