

NAUTILAIR

150240-00

MECHANICAL

DIAMETER: 8.9" (226mm)
DISCHARGE TYPE: Tangential
DISCHARGE: Standard Rectangular Flange
APPROXIMATE WEIGHT: 10lbs/4.5kg

PERFORMANCE

FLOW CLASSIFICATION: High Output
STAGES: 1 Stage

TEMPERATURE

OPERATING TEMP: 0°C to 50°C
STORAGE TEMP: -40°C to 85°C

ELECTRICAL

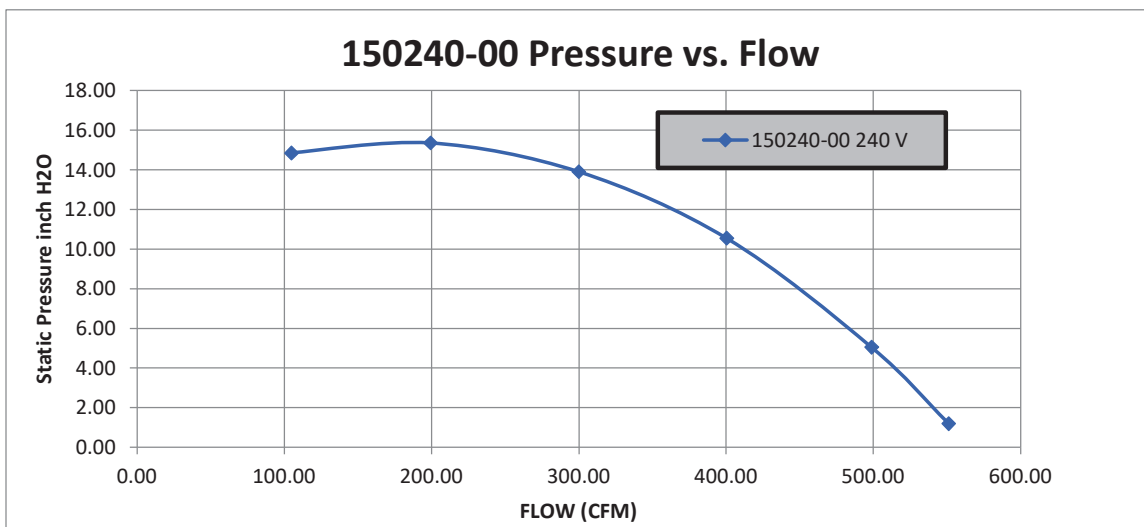
OPERATING INPUT VOLTAGE RANGE: 180-264v
OPERATING INPUT VOLTAGE: 240v

OPTIONAL FEATURES

SPEED CONTROL: 3-Pin Power Connector, Internal Speed Control, Closed Loop

REGULATORY CERTIFICATIONS

COMPLIANCE: RoHS and Reach
UL FILE NUMBER: E94403
AGENCY FULL LOAD AMPS: 10A



Flow Rate <i>cfm</i>	Static Pressure <i>inch H2O</i>	Total Pressure <i>inch H2O</i>	Current <i>A</i>	Power Demand <i>W</i>	Voltage <i>V</i>	Flow Temp. <i>°C</i>	Rotational Speed <i>rpm</i>	Static Efficiency <i>%</i>	Total Efficiency <i>%</i>
551.10	1.19	3.67	10.13	1275.98	240.43	23.94	9200	6.07	18.78
498.83	5.04	7.08	9.73	1213.56	240.47	24.39	9440	24.57	34.48
400.45	10.55	11.86	8.90	1094.38	240.55	24.80	9900	45.78	51.47
299.89	13.90	14.63	7.90	961.17	240.63	25.36	10430	51.52	54.25
199.16	15.35	15.68	6.63	794.68	240.72	25.26	10600	45.70	46.66
104.92	14.85	14.94	5.55	669.30	240.81	25.35	10600	27.67	27.85

Performance Data is for Reference only

NOTES:

1. RoHS AND REACH COMPLIANCE. REFERENCE AMETEK ENVIRONMENTAL SPECIFICATION ES0010 FOR DETAILS.
2. INLET GROOVE ACCEPTS-245 O-RING AS GASKET.
3. POWER/SPEED CONTROL PORT MATES WITH:
AMP HOUSING-350809-1
CONTACT-350874-1
4. GROUND LEAD: 18GA. 105°C, 600V RATED WIRE; GREEN/YELLOW WITH FEMALE TERMINAL AMP PN#41274 .25[6.35] x .03[.81].
5. ALL INTAKE, EXHAUST, COOLING DUCTS AND VENTS MUST NOT BE OBSTRUCTED BY MOUNTING.
6. MOTOR VENTILATION AIR TO BE FREE OF OILS AND OTHER FOREIGN PARTICLES, (I.E. BREATHING QUALITY AIR). BLOWER TO BE MOUNTED SO TAT MOTOR VENTILATION AIR CANNOT RECIRCULATE.

**THIS PRODUCT HAS BEEN TESTED
AND VALIDATED TO BE ACCEPTABLE
IN OUR APPLICATION.**

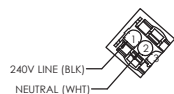
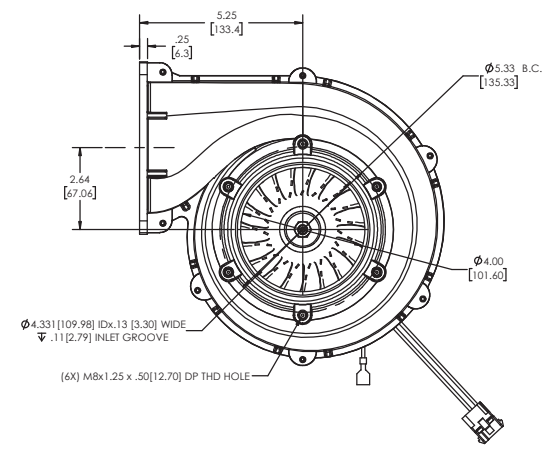
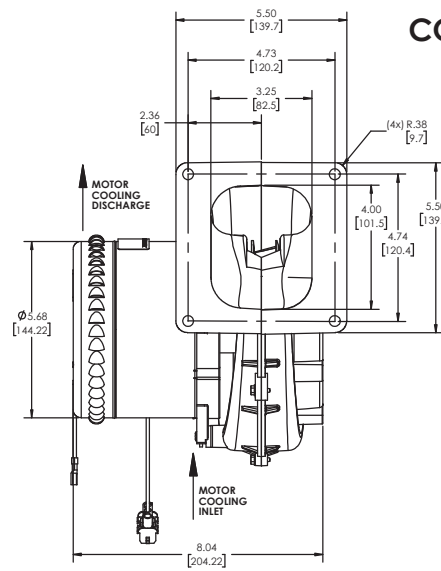
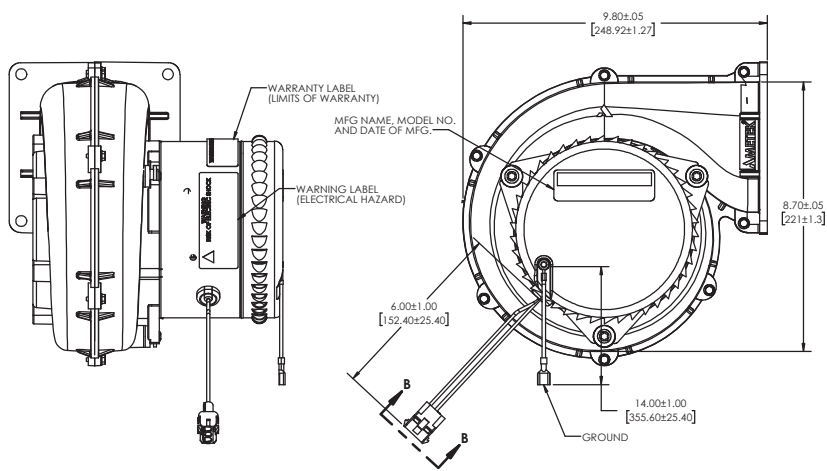
APPROVED BY: _____

PRINT NAME: _____

TITLE: _____

DATE: _____

COMPANY: _____



**SECTION B-B
SCALE 1 : 1**